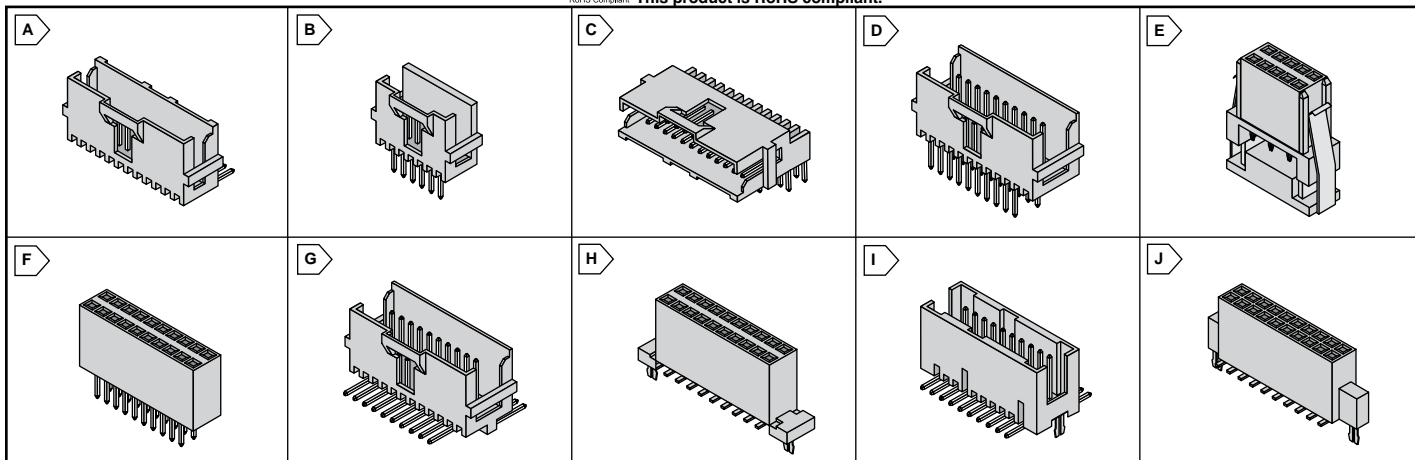


AMPMODU™ System 50 Connectors

This product is RoHS compliant.

Authorized Distributor



CABLE TO BOARD CONNECTORS

Specifications:

- Housing: Thermoplastic, UL94V-0 rated
- Latches: Stainless Steel
- Contacts: Gold over Nickel
- RoHS compliant per Tyco Electronics documentation

Headers, Single Row, Protected

For quantities of 500 and up, call for quote.

MOUSER STOCK NO.	AMP Part No.	Fig.	Number of Positions	Price Each		
				1	25	100
Right Angle						
571-5-104074-7	5-104074-7	A	4			
571-5-104074-8	5-104074-8	A	6			
571-6-104074-0	6-104074-0	A	8			
571-5-104074-1	5-104074-1	A	10			
571-6-104074-1	6-104074-1	A	12			
571-5-104074-3	5-104074-3	A	15			
571-5-104074-4	5-104074-4	A	20			
Vertical						
571-5-104071-7	5-104071-7	B	4			
571-5-104071-8	5-104071-8	B	6			
571-6-104071-0	6-104071-0	B	8			
571-5-104071-1	5-104071-1	B	10			
571-6-104071-1	6-104071-1	B	12			
571-5-104071-3	5-104071-3	B	15			
571-5-104071-4	5-104071-4	B	20			

Headers, Dual Row, Protected

For quantities of 500 and up, call for quote.

MOUSER STOCK NO.	AMP Part No.	Fig.	Number of Positions	Price Each		
				1	25	100
Right Angle						
571-5-104069-4	5-104069-4	C	10			
571-5-104069-1	5-104069-1	C	20			
571-6-104069-2	6-104069-2	C	24			
571-5-104069-5	5-104069-5	C	30			
571-5-104069-6	5-104069-6	C	40			
571-5-104069-2	5-104069-2	C	50			
571-5-104069-7	5-104069-7	C	60			
571-5-104069-3	5-104069-3	C	80			
571-6-104069-7	6-104069-7	C	100			
Vertical						
571-6-104068-0	6-104068-0	D	16			
571-5-104068-1	5-104068-1	D	20			
571-6-104068-1	6-104068-1	D	24			
571-5-104068-3	5-104068-3	D	30			
571-5-104068-4	5-104068-4	D	40			
571-5-104068-5	5-104068-5	D	50			
571-5-104068-6	5-104068-6	D	60			
571-6-104068-6	6-104068-6	D	80			
571-6-104068-7	6-104068-7	D	100			

Receptacles, Dual Row

For quantities of 500 and up, call for quote.

MOUSER STOCK NO.	AMP Part No.	Fig.	Number of Positions	Price Each		
				1	25	100
IDC						
571-2-111196-5	2-111196-5	E	10			
571-1-111196-8	1-111196-8	E	20			
571-2-111196-8	2-111196-8	E	24			
571-2-111196-9	2-111196-9	E	26			
571-1-111196-9	1-111196-9	E	30			
571-2-111196-0	2-111196-0	E	40			
571-2-111196-1	2-111196-1	E	50			
571-2-111196-2	2-111196-2	E	60			
571-3-111196-3	3-111196-3	E	80			
571-2-111196-4	2-111196-4	E	100			

CABLE TO BOARD CONNECTORS (CONT.)

Specifications:

- Housing: Thermoplastic, UL94V-0 rated
- Latches: Stainless Steel
- Contacts: Gold over Nickel
- RoHS compliant per Tyco Electronics documentation

Receptacles, Dual Row (Cont.)

For quantities of 500 and up, call for quote.

MOUSER STOCK NO.	AMP Part No.	Fig.	Number of Positions	Price Each		
				1	25	100
Vertical						
571-5-104078-1	5-104078-1	F	20			
571-5-104078-9	5-104078-9	F	24			
571-5-104078-4	5-104078-4	F	30			
571-5-104078-2	5-104078-2	F	40			
571-5-104078-5	5-104078-5	F	50			
571-5-104078-6	5-104078-6	F	60			

BOARD TO BOARD SMT CONNECTORS

Specifications:

- Housing: Thermoplastic, UL94V-0 rated
- Vertical, Dual Row
- RoHS compliant per Tyco Electronics documentation

.050" x .100" Centerline

For quantities of 500 and up, call for quote.

MOUSER STOCK NO.	AMP Part No.	Fig.	Number of Positions	Price Each		
				1	25	100
Headers, Vertical Dual Row						
571-5-104549-2	5-104549-2	G	20			
571-5-104549-5	5-104549-5	G	30			
571-5-104549-6	5-104549-6	G	40			
571-5-104549-7	5-104549-7	G	50			
571-6-104549-0	6-104549-0	G	100			
Receptacles, Vertical Dual Row						
571-5-104550-4	5-104550-4	H	30			
571-5-104550-5	5-104550-5	H	40			

.050" x .050"

For quantities of 500 and up, call for quote.

MOUSER STOCK NO.	AMP Part No.	Fig.	Mating Height (In.)	No. of Positions	Price Each		
					1	25	100
Headers, Vertical Dual Row							
571-5-104655-3	5-104655-3	I	.250	20			
571-5-104655-6	5-104655-6	I	.250	50			
571-5-104655-8	5-104655-8	I	.250	70			
571-6-104655-1	6-104655-1	I	.250	100			
571-5-104656-2	5-104656-2	I	.320	20			
571-5-104656-3	5-104656-3	I	.320	30			
571-5-104656-4	5-104656-4	I	.320	40			
571-5-104656-5	5-104656-5	I	.320	50			
571-5-104656-7	5-104656-7	I	.320	70			
571-6-104656-0	6-104656-0	I	.320	100			
571-5-104693-2	5-104693-2	I	.390	20			
571-5-104693-5	5-104693-5	I	.390	50			
571-5-104693-7	5-104693-7	I	.390	70			
571-6-104693-0	6-104693-0	I	.390	100			
Receptacles, Vertical Dual Row							
571-5-104652-1	5-104652-1	J	-	10			
571-5-104652-2	5-104652-2	J	-	20			
571-5-104652-3	5-104652-3	J	-	30			
571-5-104652-5	5-104652-5	J	-	50			
571-5-104652-6	5-104652-6	J	-	60			
571-5-104652-7	5-104652-7	J	-	70			
571-5-104652-8	5-104652-8	J	-	80			
571-6-104652-0	6-104652-0	J	-	100			