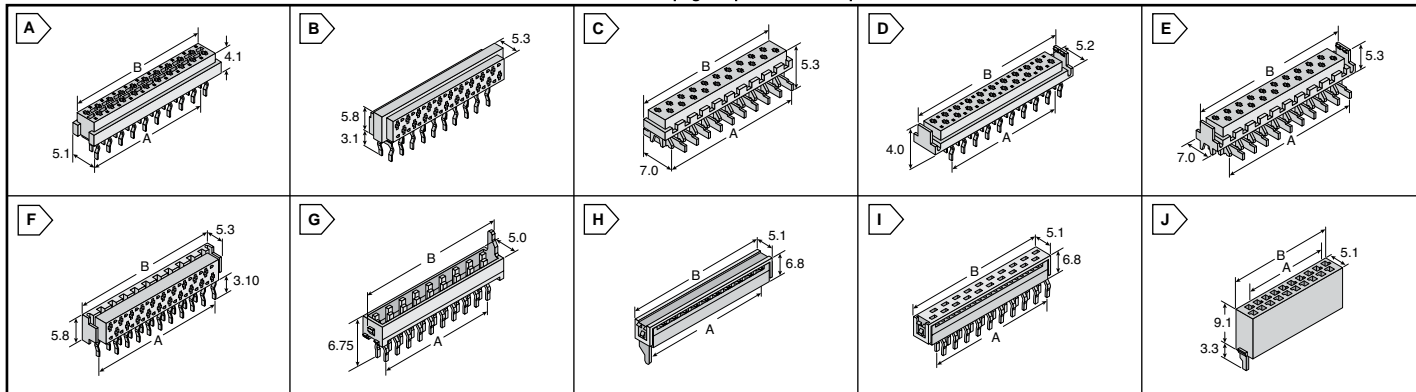


# AMP Micro-MaTch Connectors

RoHS Compliant This page of product is compliant.

Authorized Distributor



**Features/Benefits:**

- One of the smallest systems available at 1.27 mm
- UL-recognized: File No. E28476, Vol. 23, Section 4
- High performance/cost ratio
- Tin plated contact design
- Fretting corrosion proof thanks to additional positioning spring
- Fully plated contacts: no bare edges and no migration of corrosion products

**Applications:**

- Automotive
- Car radios
- Navigation systems
- Dashboard systems
- Consumer electronics
- Communication equipment: base stations and phones
- Instrumentation and measuring equipment
- Set top boxes
- High end audio and musical
- High end CTV

**DIMENSIONS: mm**



## FEMALE-ON-BOARD CONNECTORS

Mates w/: 338095, 215083, 215464

For quantities of 100 and up, call for quote.

MOUSER STOCK NO.	AMP Part No.	Fig.	No. of Positions	Dimensions: mm		Price Each		
				A	B	1	25	50
<b>Thru Hole Vertical</b>								
571-215079-4	215079-4	A	4	3.81	7.10			
571-215079-6	215079-6	A	6	6.35	9.70			
571-215079-8	215079-8	A	8	8.89	12.20			
571-1-215079-0	1-215079-0	A	10	11.43	14.70			
571-1-215079-2	1-215079-2	A	12	13.97	17.30			
571-2-215079-0	2-215079-0	A	20	24.13	27.40			
<b>Thru Hole Right Angle</b>								
571-215460-6	215460-6	B	6	6.35	9.70			
571-1-215460-0	1-215460-0	B	10	11.43	14.70			
571-1-215460-2	1-215460-2	B	12	13.97	17.30			
571-1-215460-4	1-215460-4	B	14	16.51	19.80			
571-1-215460-6	1-215460-6	B	16	19.05	22.40			
571-2-215460-0	2-215460-0	B	20	24.13	27.40			
<b>SMT Vertical</b>								
571-188275-4	188275-4	C	4	3.81	7.10			
571-188275-6	188275-6	C	6	6.35	9.70			
571-1-188275-2	1-188275-2	C	12	13.97	17.30			
571-2-188275-0	2-188275-0	C	20	24.13	27.40			

## FEMALE-ON-BOARD LOCKING CONNECTORS

Mates w/: 338095, 215083, 215464

For quantities of 100 and up, call for quote.

MOUSER STOCK NO.	AMP Part No.	Fig.	No. of Positions	Dimensions: mm		Price Each		
				A	B	1	25	50
<b>Thru Hole Vertical</b>								
571-338068-4	338068-4	D	4	3.81	9.70			
571-1-338068-0	1-338068-0	D	10	11.43	17.30			
571-1-338068-8	1-338068-8	D	18	21.59	27.40			
571-2-338068-0	2-338068-0	D	20	24.13	30.00			
<b>Thru Hole Right Angle</b>								
571-338070-4	338070-4	E	4	3.81	9.70			
571-338070-6	338070-6	E	6	6.35	12.20			
571-338070-8	338070-8	E	8	8.89	14.70			
571-1-338070-0	1-338070-0	E	10	11.43	17.30			
571-1-338070-2	1-338070-2	E	12	13.97	19.80			
<b>SMT Vertical</b>								
571-338069-4	338069-4	F	4	3.81	9.70			
571-338069-6	338069-6	F	6	6.35	12.20			
571-338069-8	338069-8	F	8	8.89	14.70			
571-1-338069-2	1-338069-2	F	12	13.97	19.80			
571-1-338069-6	1-338069-6	F	16	19.05	24.90			
571-1-338069-8	1-338069-8	F	18	21.59	27.40			
571-2-338069-0	2-338069-0	F	20	24.13	30.00			

## CONTACTS

For quantities greater than listed, call for quote.

MOUSER STOCK NO.	AMP Part No.	Description	Price Each			
			1	25	50	100
571-1-338096-1	1-338096-1	Contact 28-24 AWG				
571-1-338097-1	1-338097-1	Contact 24-20 AWG				

## THRU HOLE MALE-ON-BOARD CONNECTORS -VERTICAL

For quantities of 100 and up, call for quote.

MOUSER STOCK NO.	AMP Part No.	Fig.	No. of Positions	Dimensions: mm		Price Each		
				A	B	1	25	50
571-215464-4	215464-4	G	4	3.81	8.20			
571-215464-6	215464-6	G	6	6.35	10.70			
571-215464-8	215464-8	G	8	8.89	13.30			
571-1-215464-0	1-215464-0	G	10	11.43	15.80			
571-1-215464-2	1-215464-2	G	12	13.97	18.30			
571-1-215464-4	1-215464-4	G	14	16.51	20.80			
571-1-215464-8	1-215464-8	G	18	21.59	25.90			
571-2-215464-0	2-215464-0	G	20	24.13	28.40			

Mates w/: 215079, 215460, 188275, 215079, 338068, 338069, 3380701

## MALE-ON-WIRE CONNECTORS

For quantities of 100 and up, call for quote.

MOUSER STOCK NO.	AMP Part No.	Fig.	No. of Positions	Dimensions: mm		Price Each		
				A	B	1	25	50
571-215083-4	215083-4	H	4	3.81	8.60			
571-215083-6	215083-6	H	6	6.35	11.10			
571-215083-8	215083-8	H	8	8.89	13.60			
571-1-215083-0	1-215083-0	H	10	11.43	16.20			
571-1-215083-2	1-215083-2	H	12	13.97	18.70			
571-2-215083-0	2-215083-0	H	20	24.13	28.90			

Mates w/: 215079, 215460, 188275, 215079, 338068, 338069, 3380701

## THRU HOLE MALE PADDLE BOARD CONNECTORS - VERTICAL

For quantities of 100 and up, call for quote.

MOUSER STOCK NO.	AMP Part No.	Fig.	No. of Positions	Dimensions: mm		Price Each		
				A	B	1	25	50
571-215570-4	215570-4	I	4	3.81	8.60			
571-215570-8	215570-8	I	8	8.89	13.60			
571-1-215570-0	1-215570-0	I	10	11.43	16.20			
571-1-215570-2	1-215570-2	I	12	13.97	18.70			

No mate; direct soldering of ribbon cable onto the PC Board

## CRIMP ON SNAP IN (COSI) CONNECTORS

571-338095-4	338095-4	J	4	3.81	8.40			
571-338095-8	338095-8	J	8	8.89	13.50			
571-1-338095-0	1-338095-0	J	10	11.43	16.00			
571-1-338095-2	1-338095-2	J	12	13.97	18.50			
571-1-338095-4	1-338095-4	J	14	16.51	21.10			
571-1-338095-6	1-338095-6	J	16	19.05	23.60			
571-1-338095-8	1-338095-8	J	18	21.59	26.20			
571-2-338095-0	2-338095-0	J	20	24.13	28.70			

Mates w/: 215079, 215460, 188275, 215079, 338068, 338069, 3380701

Contacts: 338096-1, 338097-1