

# AMPMODU™ Standard Profile Headers

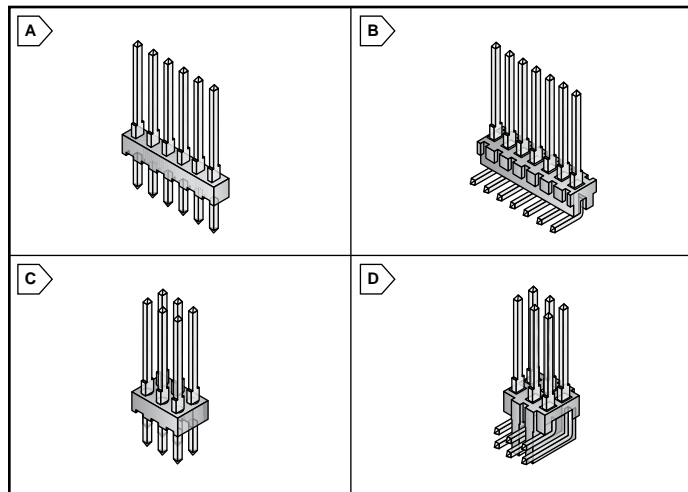
RoHS Compliant This product is RoHS compliant.

## STANDARD PROFILE HEADERS UNSHROUDED .100" (2.54MM) CENTERS

- Material:**
- Housing: Black Thermoplastic, flame retardant, UL94V-0 rated.
  - Mating length for single and double row is .318 (8.08).
  - RoHS compliant per Tyco Electronics documentation
- \* Contact Plating:**
- 1= Selectively plated .00003 (0.00076) gold on contact area with gold flash over .000050 (0.00127) nickel on entire post.
  - 2= Selectively plated .000015 (0.00038) gold on contact area with gold flash over .000050 (0.00127) nickel on entire post.

For quantities of 50 and up, call for quote.

MOUSER STOCK NO.	AMP Part No.	Fig.	No. of Pos.	Width (mm)	*Contact Plating	Price Each	
						1	25
<b>.025" Square Straight Posts - Single Row</b>							
571-872241	87224-1	A	1	2.13	2		
571-872202	87220-2	A	2	4.67	1		
571-872242	87224-2	A	2	4.67	2		
571-87220-3	87220-3	A	3	7.21	1		
571-872243	87224-3	A	3	7.21	2		
571-872244	87224-4	A	4	9.75	2		
571-872207	87220-7	A	7	17.37	1		
571-872208	87220-8	A	8	19.91	1		
571-872248	87224-8	A	8	19.91	2		
571-1872200	1-87220-0	A	10	24.99	1		
571-1872240	1-87224-0	A	10	24.99	2		
571-2872240	2-87224-0	A	20	50.39	2		
571-4872240	4-87224-0	A	40	101.19	2		
<b>.025" Square Right-Angle Post - Single Row</b>							
571-872328	87232-8	B	8	19.91	1		
571-1872330	1-87233-0	B	10	24.99	2		
<b>.025" Square Straight Post - Double Row</b>							
571-1872150	1-87215-0	C	2	2.13	1		
571-872271	87227-1	C	2	2.13	2		
571-1872151	1-87215-1	C	4	4.67	1		
571-872272	87227-2	C	4	4.67	2		
571-1872152	1-87215-2	C	6	7.21	1		
571-872273	87227-3	C	6	7.21	2		
571-872151	87215-1	C	8	9.75	1		
571-872274	87227-4	C	8	9.75	2		
571-872152	87215-2	C	10	12.29	1		
571-872275	87227-5	C	10	12.29	2		
571-872154	87215-4	C	14	17.37	1		
571-872277	87227-7	C	14	17.37	2		
571-872155	87215-5	C	16	19.91	1		
571-872278	87227-8	C	16	19.91	2		
571-872157	87215-7	C	20	24.99	1		
571-1872270	1-87227-0	C	20	24.99	2		
571-872159	87215-9	C	26	32.61	1		
571-1872273	1-87227-3	C	26	32.61	2		
571-1872157	1-87215-7	C	34	42.77	1		
571-1872277	1-87227-7	C	34	42.77	2		
571-2872155	2-87215-5	C	50	63.09	1		
571-3872150	3-87215-0	C	60	75.79	1		



**.025" Square Right-Angle Post - Double Row** For quantities of 50 and up, call for quote.

MOUSER STOCK NO.	AMP Part No.	Fig.	No. of Pos.	Width (mm)	*Contact Plating	Price Each	
						1	25
571-872303	87230-3	D	6	7.21	2		
571-872304	87230-4	D	8	9.75	2		
571-872305	87230-5	D	10	12.29	2		
571-872306	87230-6	D	12	14.83	2		
571-872307	87230-7	D	14	17.37	2		
571-864792	86479-2	D	16	19.91	1		
571-872308	87230-8	D	16	19.91	2		
571-1872300	1-87230-0	D	20	24.99	2		
571-1872302	1-87230-2	D	24	30.07	2		

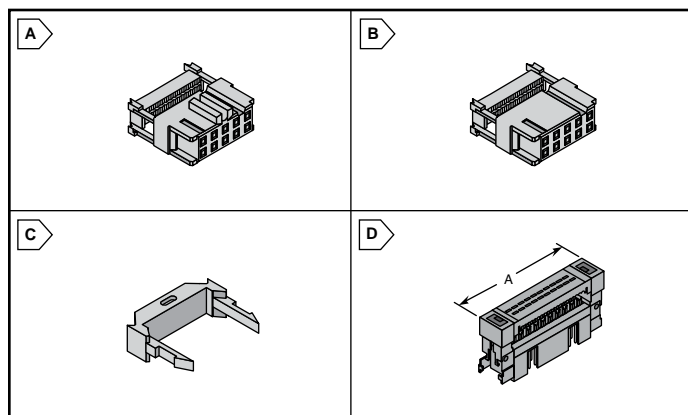
Rectangular Connectors AMP

## AMP-LATCH NOVO CONNECTORS

- Features:**
- Mates with .025" square or round pin, .245" max. post length
  - IDC for fast, economical mass termination
  - Tuning fork contact offers a military approved design at an economical cost
  - RoHS compliant per Tyco Electronics documentation
- Specifications:**
- Current rating: 1A per contact max.
  - Insulation resistance: 5000MΩ min.
  - Termination resistance: 15mΩ max.
  - Operating temperature range: -65°C to +105°C

For quantities of 500 and up, call for quote.

MOUSER STOCK NO.	AMP Part No.	Fig.	No. of Pos.	Price Each		
				1	10	100
<b>Center / Military Polarized Receptacles</b>						
571-1658621-1	1658621-1	A	10			
571-1658621-2	1658621-2	A	14			
571-1658621-3	1658621-3	A	16			
571-1658621-4	1658621-4	A	20			
571-1658621-5	1658621-5	A	24			
571-1658621-6	1658621-6	A	26			
571-1658621-7	1658621-7	A	30			
571-1658621-8	1658621-8	A	34			
571-1658621-9	1658621-9	A	40			
571-1-1658621-1	1-1658621-1	A	60			
<b>Military Polarized Receptacles</b>						
571-1658620-1	1658620-1	B	10			
571-1658620-2	1658620-2	B	14			
571-1658620-3	1658620-3	B	16			
571-1658620-4	1658620-4	B	20			
571-1658620-5	1658620-5	B	24			
571-1658620-6	1658620-6	B	26			
571-1658620-7	1658620-7	B	30			
571-1658620-8	1658620-8	B	34			
571-1658620-9	1658620-9	B	40			
571-1-1658620-0	1-1658620-0	B	50			



## AMP-LATCH UNIVERSAL .050 IDC I/O PIN CONNECTOR

- Features:**
- .100 X .100 Footprint
  - 30µ" Gold
  - Tin Solder Tail Contact Plating
  - Black thermoplastic, UL 94V-0 rated
  - No Mounting Ears



## Strain Reliefs

For quantities of 500 and up, call for quote.

MOUSER STOCK NO.	AMP Part No.	Fig.	No. of Pos.	Width (mm)	*Contact Plating	Price Each
571-4992525	499252-5	C	10			
571-4992529	499252-9	C	14			
571-4992528	499252-8	C	16			
571-499252-2	499252-2	C	20			
571-14992520	1-499252-0	C	24			
571-499252-3	499252-3	C	26			
571-14992522	1-499252-2	C	30			
571-4992526	499252-6	C	34			
571-4992521	499252-1	C	40			
571-4992524	499252-4	C	50			
571-4992527	499252-7	C	60			

For quantities of 500 and up, call for quote.

MOUSER STOCK NO.	AMP Part No.	Fig.	No. of Pos.	Dim. A In. (mm)	Price Each		
					1	10	100
571-1-111446-4	1-111446-4	D	10	1.072 (27.23)			
571-1-111446-6	1-111446-6	D	16	1.372 (34.85)			
571-1-111446-8	1-111446-8	D	20	1.572 (39.93)			
571-2-111446-0	2-111446-0	D	26	1.872 (47.55)			
571-2-111446-1	2-111446-1	D	30	2.072 (52.63)			
571-2-111446-2	2-111446-2	D	34	2.272 (57.71)			
571-1-111446-7	1-111446-7	D	50	3.072 (78.03)			