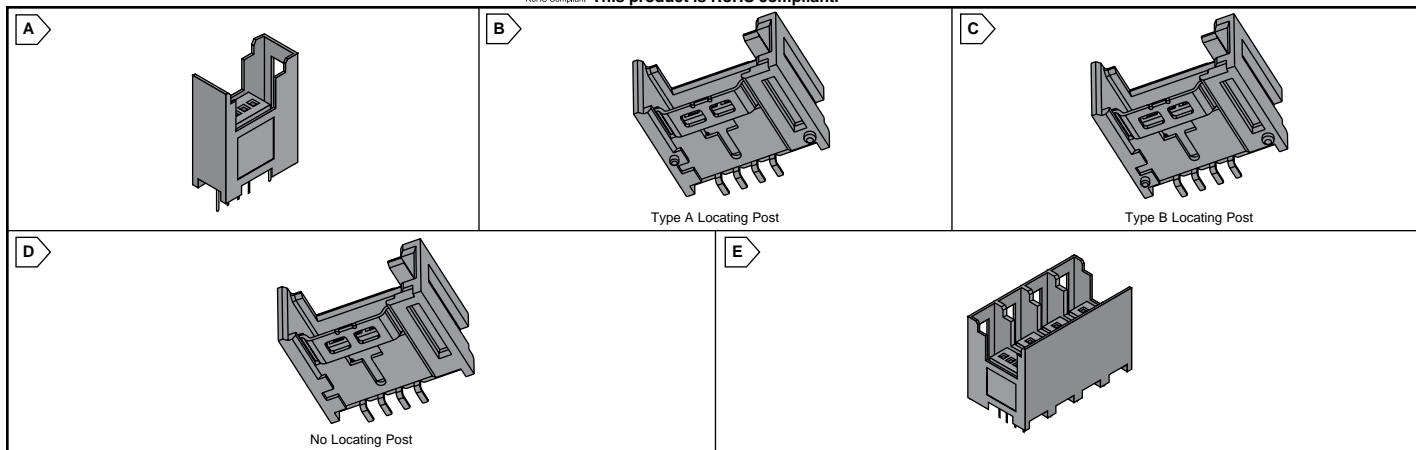


3M™ Mini-Clamp and Link Connectors



RoHS Compliant This product is RoHS compliant.



2.00MM BOARDMOUNT MINI-CLAMP SOCKET CONNECTORS

Specifications:

- Flammability: UL94V-0
- Color: Black
- Contact Material: Copper Alloy
- Insulation Material: Nylon
- Current Rating: 3.0A
- Temperature Rating: -20°C to 85°C
- Voltage Rating: 32V

Features:

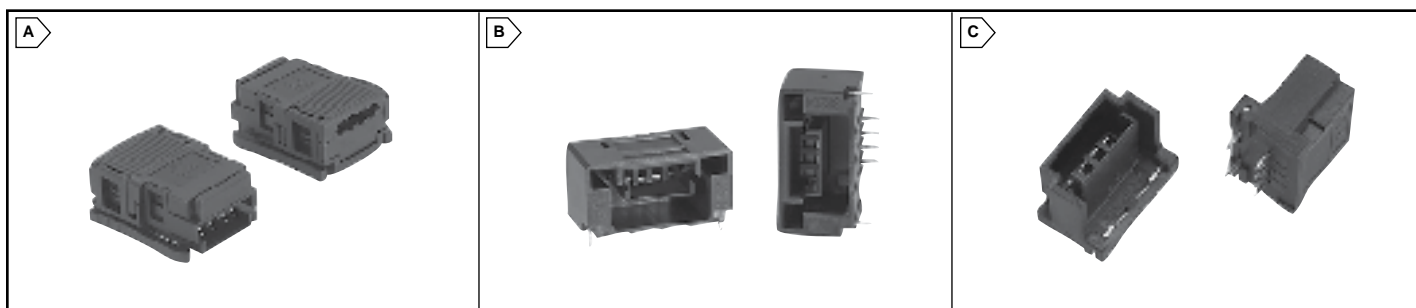
- Mates to 371 Series Plugs
- Straight Solder Tails
- Kinked contact pins for board retention.
- RoHS Compliant per 3M documentation



For quantities of 100 and up, call for quote.

MOUSER STOCK NO.	3M Part No.	Fig.	No. of Positions	Type	Mating Plug Size	Price Each			
						1	10	25	50
Single Row - Vertical									
517-37203-62A3-003PL	37203-62A3-003PL	A	3	A	3 Pos.				
517-37203-62B3-003PL	37203-62B3-003PL	A	3	B	3 Pos.				
517-37204-62A3-004PL	37204-62A3-004PL	A	4	A	4 Pos.				
517-37204-62B3-004PL	37204-62B3-004PL	A	4	B	4 Pos.				
Single Row - SMT									
517-37203-1AE0-003PL	37203-1AE0-003 PL	B	3	A	3 Pos.				
517-37203-1BE0-003PL	37203-1BE0-003 PL	C	3	B	3 Pos.				
517-37204-1AE0-004PL	37204-1AE0-004 PL	B	4	A	4 Pos.				
517-37204-1BE0-004PL	37204-1BE0-004 PL	C	4	B	4 Pos.				
517-37203-12E0-003PL	37203-12E0-003 PL	D	3	None	3 Pos.				
517-37204-12E0-004PL	37204-12E0-004 PL	D	4	None	4 Pos.				
4 Rows									
517-37212-62M3-003PL	37212-62M3-003PL	E	12	M	3 Pos.				
517-37216-62M3-004PL	37216-62M3-004PL	E	16	M	4 Pos.				

3M Rectangular Connectors



.100" LINK CONNECTORS

Specifications:

- Flammability: UL94V-0
- Contact Material: Copper Alloy
- Current Rating: 5.0A
- Insulation Material: Nylon body,
- Polycarbonate cover
- Voltage Rating: 160V
- Temperature Rating: -20°C to 70°C
- CC Link Standard Compliant

Features:

- Reliable IDC wire termination
- Latch mechanism for both in-line and PC board



Wiremount

For quantities of 100 and up, call for quote.

MOUSER STOCK NO.	3M Part No.	Fig.	Wire AWG	Cover Color	Body Color	Wire Type	Price Each			
							1	10	25	50
517-38104-0018-000	38104-0018-000 FL	A	18	Black	Black	Flat Cable				
517-38104-E018-E00FL	38104-E018-E00FL	A	18	Orange	Black	Discrete				
517-38104-M018-M0MFL	38104-M018-M0MFL	A	18	Blue	Blue	Flat Cable				
517-38104-0020-100FL	38104-0020-100FL	A	20	Black	Gray	Flat Cable				

Boardmount

For quantities of 100 and up, call for quote.

MOUSER STOCK NO.	3M Part No.	Fig.	Mounting Style	Body Color	Price Each			
					1	10	25	50
517-38204-52S3-000PL	38204-52S3-000PL	A	Right Angle	Black				
517-38204-62S3-000PL	38204-62S3-000PL	B	Straight	Black				

