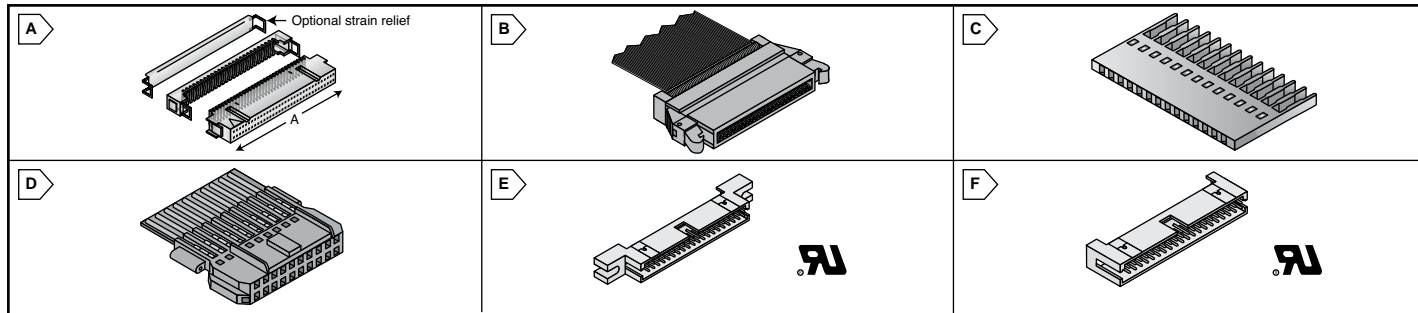


3M™ .050" and .100" Wiremount Connectors



8200 SERIES .050" X .100" TRIPOLARIZED MINI WIREMOUNT SOCKETS

For .025" Pitch Cable

Specifications:

- Hill-n-dale design provides a high performance IDC termination
- Insert-molded copper alloy contacts for superior strength and reliability
- Insulation material: Glass filled polyester (PBT), Gray, UL 94V-0
- Temperature rating: -55°C to +105°C
- Metal cover latch
- Plating: Tin-lead
- Current rating: 0.5A
- Withstand voltage: 500Vrms



For quantities of 200 and up, call for quote.

MOUSER STOCK NO.	3M Part No.	Fig.	No. of Positions	Dimensions "A" mm (in.)	Price Each			
					1	25	50	100
Strain Relief Included								
517-82020-6006	82020-6006	A	20	19.18 (0.755)				
517-82026-6006	82026-6006	A	26	22.99 (0.905)				
517-82040-6006	82040-6006	A	40	31.88 (1.255)				
517-82050-6006	82050-6006	A	50	38.23 (1.505)				
517-82060-6006	82060-6006	A	60	44.58 (1.755)				
517-82068-6006	82068-6006	A	68	49.66 (1.955)				
517-82080-6006	82080-6006	A	80	57.28 (2.255)				
517-82100-6006	82100-6006	A	100	69.98 (2.755)				

CHG SERIES SOCKETS (CONT.)

For quantities of 50 and up, call for quote.

MOUSER STOCK NO.	3M Part No.	Fig.	No. of Pos.	Current Ratings	Wire AWG	Price Each		
						1	10	25
.100" Pak 100 Wiremount Sockets (Cont.)								
517-CHG-1006-11-KEP	CHG-1006-001010-KCP	C	6	2A	22-24			
517-CHG-1008-11-KCP	CHG-1008-001010-KCP	C	8	1.5A	26-28			
517-CHG-1008-11-KEP	CHG-1008-001010-KCP	C	8	2A	22-24			
517-CHG-1010-11-KEP	CHG-1010-001010-KCP	C	10	2A	22-24			
517-CHG-1014-11-KCP	CHG-1014-001010-KCP	C	14	1.5A	26-28			
.100" Pak 100 Polarized Wiremount Sockets								
517-CHG-2010-J11-KCP	CHG-2010-J01010-KCP	D	10	1.5A	26-28			
517-2010-0101	CHG-2010-J01010-KCP	D	10	2A	22-24			
517-CHG-2014-J11-KEP	CHG-2014-J01010-KCP	D	14	2A	22-24			
517-CHG-2016-J11-KEP	CHG-2016-J01010-KCP	D	16	2A	22-24			
517-CHG20-J01010-KCP	CHG-2020-J01010-KCP	D	20	1.5A	26-28			
517-CHG20-J01010-KEP	CHG-2020-J01010-KCP	D	20	2A	22-24			
517-CHG-2024-J11-KEP	CHG-2024-J01010-KCP	D	24	2A	22-24			
517-CHG-2026-J01010	CHG-2026-J01010-KCP	D	26	2A	22-24			
517-CHG-2030-J11-KEP	CHG-2030-J01010-KCP	D	30	2A	22-24			
517-2034-J01010	CHG-2034-J01010-KCP	D	34	2A	22-24			
517-CHG-2040-J11-KCP	CHG-2040-J01010-KCP	D	40	1.5A	26-28			
517-CHG-2040-J11-KEP	CHG-2040-J01010-KCP	D	40	2A	22-24			
517-CHG2050J01010KEP	CHG-2050-J01010-KCP	D	50	2A	22-24			

Rectangular Connectors

.050" PAK 50 WIREMOUNT SOCKETS

Features:

- Stranded PVC Flat Ribbon Cable
- Latch/eject mechanism maintains a secure connection
- Color: Black
- Current rating: 0.5A
- Temperature rating: -55°C to +85°C
- Plating: 10µ" Gold
- RoHS Compliant per 3M documentation



RoHS Compliant

For quantities of 100 and up, call for quote.

MOUSER STOCK NO.	3M Part No.	Fig.	No. of Positions	Price Each			
				1	10	25	50
P25E Series • Wire Accommodation: .025" 30AWG • Compatible w/ 3M™ 3754 Series Cable							
517-P25E-020S-EA	P25E-020S-EA	B	20				
517-P25E-050S-EA	P25E-050S-EA	B	50				
517-P25E-080S-EA	P25E-080S-EA	B	80				
517-P25E-100S-EA	P25E-100S-EA	B	100				
P50E Series • Wire Accommodation: .050" 28AWG • Compatible w/ 3M™ 3365 Series Cable							
517-P50E-040S-EA	P50E-040S-EA	B	40				
517-P50E-080S-EA	P50E-080S-EA	B	80				
517-P50E-100S-EA	P50E-100S-EA	B	100				

CHG SERIES SOCKETS

Specifications:

- Twin slot IDC provides 4 points of contact
- Temperature rating: -55°C to +105°C
- Plating: 30µ" Gold
- Insulation material: Glass Filled Polyester (PBT), gray UL 94V-0
- Contact material: Copper alloy
- Exclusive L/H 4-wire contact
- RoHS Compliant per 3M documentation



RoHS Compliant

For quantities of 50 and up, call for quote.

MOUSER STOCK NO.	3M Part No.	Fig.	No. of Pos.	Current Ratings	Wire AWG	Price Each		
						1	10	25
.100" Pak 100 Wiremount Sockets								
517-CHG-1002-11-KCP	CHG-1002-001010-KCP	C	2	1.5A	26-28			
517-CHG-1002-11-KEP	CHG-1002-001010-KCP	C	2	2A	22-24			
517-CHG-1003-11-KCP	CHG-1003-001010-KCP	C	3	1.5A	26-28			
517-CHG-1003-11-KEP	CHG-1003-001010-KCP	C	3	2A	22-24			
517-CHG-1004-11-KCP	CHG-1004-001010-KCP	C	4	1.5A	26-28			
517-CHG-1004-11-KEP	CHG-1004-001010-KCP	C	4	2A	22-24			
517-CHG-1005-11-KCP	CHG-1005-001010-KCP	C	5	1.5A	26-28			
517-CHG-1005-11-KEP	CHG-1005-001010-KCP	C	5	2A	22-24			

4600 SERIES .100" X .100" WIREMOUNT PLUGS IDC SHROUDED HEADERS

Specifications:

- Shrouded to protect against physical and chemical pin damage
- Accepts flat cable or discrete wire
- Insulation material: Glass filled polyester (PBT)
- Flammability: UL 94V-0
- Color: Gray
- Contact material: Copper alloy
- Wire Accommodation: 26 and 28AWG solid or stranded
- RoHS compliant per 3M™ documentation

- Current rating: 1A
- Temperature rating: -55°C to +105°C
- Plating: 30µ" Gold
- Open end cover included
- Mates with socket series: CHG, 8500, 3000, and 891



RoHS Compliant

For quantities of 200 and up, call for quote.

MOUSER STOCK NO.	3M Part No.	Fig.	No. of Pos.	Price Each			
				1	25	50	100
With Mounting Flange							
517-4610-6050	4610-6050	E	10				
517-4614-6000	4614-6000	E	14				
517-4616-6000	4616-6000	E	16				
517-4620-6000	4620-6000	E	20				
517-4624-6000	4624-6000	E	24				
517-4626-6000	4626-6000	E	26				
517-4634-6000	4634-6000	E	34				
517-4640-6000	4640-6000	E	40				
517-4650-6000	4650-6000	E	50				
Without Mounting Flange							
517-4610-6051	4610-6051	F	10				
517-4614-6001	4614-6001	F	14				
517-4616-6001	4616-6001	F	16				
517-4620-6001	4620-6001	F	20				
517-4626-6001	4626-6001	F	26				
517-4634-6001	4634-6001	F	34				
517-4640-6001	4640-6001	F	40				
517-4650-6001	4650-6001	F	50				
Accessories				Description			
517-3448-4610	3448-4610			10P strain relief			
517-3448-4614	3448-4614			14P strain relief			
517-3448-4616	3448-4616			16P strain relief			
517-3448-4620	3448-4620			20P strain relief			
517-3448-4624	3448-4624			24P strain relief			
517-3448-4626	3448-4626			26P strain relief			
517-3448-4634	3448-4634			34P strain relief			
517-3448-4640	3448-4640			40P strain relief			
517-3448-4650	3448-4650			50P strain relief			
517-3518	3518			polarization key			
517-3505-16	3505-16			short latch; .726mm			
517-3505-17	3505-17			long latch; .875mm			