

3M™ .100" x .100" Latch/Ejector Headers

RoHS Compliant This product is RoHS compliant.



3000 SERIES

Specifications:

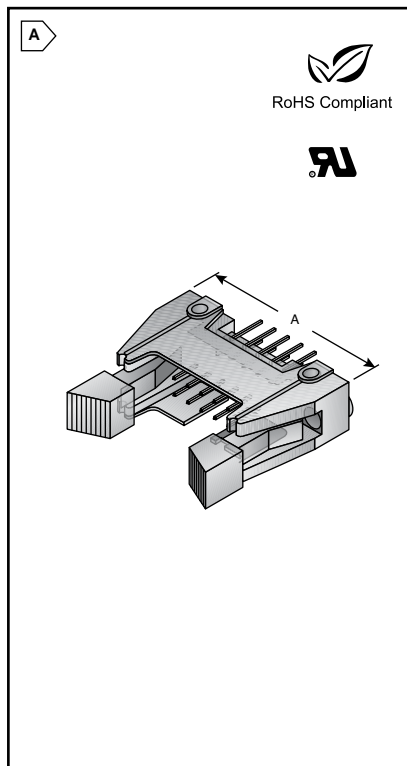
- Solder Tail Type
- Standard ejector latches
- Optional polarizing posts
- Mounting holes for securing header to board
- Insulation Material: Glass Filled Polyester (PCT)
- Military (with 3M's 3518 polarizing key) and centerbump polarization
- High temperature insulator suitable for "no lead" soldering operations
- Suitable for reflow soldering using "paste in hole" techniques
- Flammability: UL 94V-0
- Color: Black; Ejector Latch: Gray
- Contact material: Copper Alloy
- Terminal Finish Indicator: e3 (per JESD97)
- Marking: 3M Logo, Part Identification Number and Orientation Triangle
- Current Rating: 1A
- Insulation Resistance >1 x 10⁹ at 500Vdc
- Withstanding Voltage: 1000Vrms at Sea Level
- Temperature Rating: -55°C - +105°C
- Process Rating: Maximum 260°C, single pass, (profile per J-STD-020C)
- Moisture Sensitivity Level: 1 (per J-STD-020C)
- Mates with Socket Series' CHG, 8500, 3000, and 891
- RoHS compliant per 3M documentation

Straight

For quantities of 200 and up, call for quote.

MOUSER STOCK NO.	3M Part No.	Fig.	No. of Positions	Dimensions (A) mm(in.)	Contact Plating	Price Each			
						1	25	50	100
With Short Roll Pin Latch/Ejectors									
517-D3793-6202-AR	D3793-6202-AR	A	10	32.13 (1.26)	10µ" Gold				
517-D3408-6202-AR	D3408-6202-AR	A	16	39.75 (1.56)	10µ" Gold				
517-D3428-6202-AR	D3428-6202-AR	A	20	44.83 (1.76)	10µ" Gold				
517-D3429-6202-AR	D3429-6202-AR	A	26	52.45 (2.06)	10µ" Gold				
517-D3431-6202-AR	D3431-6202-AR	A	34	62.61 (2.46)	10µ" Gold				
517-D3432-6202-AR	D3432-6202-AR	A	40	70.23 (2.76)	10µ" Gold				
517-D3433-6202-AR	D3433-6202-AR	A	50	82.73 (3.26)	10µ" Gold				
517-N3793-6202RB	N3793-6202RB	A	10	32.13 (1.26)	30µ" Gold				
517-N3314-6202RB	N3314-6202RB	A	14	37.21 (1.46)	30µ" Gold				
517-N3408-6202RB	N3408-6202RB	A	16	39.75 (1.56)	30µ" Gold				
517-N3428-6202RB	N3428-6202RB	A	20	44.83 (1.76)	30µ" Gold				
517-N3627-6202RB	N3627-6202RB	A	24	49.91 (1.96)	30µ" Gold				
517-N3429-6202RB	N3429-6202RB	A	26	52.45 (2.06)	30µ" Gold				
517-N3440-6202RB	N3440-6202RB	A	30	57.53 (2.26)	30µ" Gold				
517-N3431-6202RB	N3431-6202RB	A	34	62.61 (2.46)	30µ" Gold				
517-N3432-6202RB	N3432-6202RB	A	40	70.23 (2.76)	30µ" Gold				
517-N3433-6202RB	N3433-6202RB	A	50	82.93 (3.26)	30µ" Gold				
517-N3372-6202RB	N3372-6202RB	A	60	95.63 (3.76)	30µ" Gold				
517-N3764-6202RB	N3764-6202RB	A	64	100.71 (3.96)	30µ" Gold				
With Long Roll Pin Latch/Ejectors									
517-D3793-6302-AR	D3793-6302-AR	A	10	32.13 (1.26)	10µ" Gold				
517-D3408-6302-AR	D3408-6302-AR	A	16	39.75 (1.56)	10µ" Gold				
517-D3428-6302-AR	D3428-6302-AR	A	20	44.83 (1.76)	10µ" Gold				
517-D3429-6302-AR	D3429-6302-AR	A	26	52.45 (2.06)	10µ" Gold				
517-D3431-6302-AR	D3431-6302-AR	A	34	62.61 (2.46)	10µ" Gold				
517-D3432-6302-AR	D3432-6302-AR	A	40	70.23 (2.76)	10µ" Gold				
517-D3433-6302-AR	D3433-6302-AR	A	50	82.93 (3.26)	10µ" Gold				
517-N3793-6302RB	N3793-6302RB	A	10	32.13 (1.26)	30µ" Gold				
517-N3314-6302RB	N3314-6302RB	A	14	37.21 (1.46)	30µ" Gold				
517-N3408-6302RB	N3408-6302RB	A	16	39.75 (1.56)	30µ" Gold				
517-N3428-6302RB	N3428-6302RB	A	20	44.83 (1.76)	30µ" Gold				
517-N3627-6302RB	N3627-6302RB	A	24	49.91 (1.96)	30µ" Gold				
517-N3429-6302RB	N3429-6302RB	A	26	52.45 (2.06)	30µ" Gold				
517-N3440-6302RB	N3440-6302RB	A	30	57.53 (2.26)	30µ" Gold				
517-N3431-6302RB	N3431-6302RB	A	34	62.61 (2.46)	30µ" Gold				
517-N3432-6302RB	N3432-6302RB	A	40	70.23 (2.76)	30µ" Gold				
517-N3433-6302RB	N3433-6302RB	A	50	82.93 (3.26)	30µ" Gold				
517-N3372-6302RB	N3372-6302RB	A	60	95.63 (3.76)	30µ" Gold				
517-N3764-6302RB	N3764-6302RB	A	64	100.71 (3.96)	30µ" Gold				

3M Rectangular Connectors



Right Angle

For quantities of 200 and up, call for quote.

MOUSER STOCK NO.	3M Part No.	Fig.	No. of Positions	Dimensions (A) mm(in.)	Contact Plating	Price Each			
						1	25	50	100
With Short Roll Pin Latch/Ejectors									
517-D3793-5202-AR	D3793-5202-AR	B	10	32.13 (1.26)	10µ" Gold				
517-D3408-5202-AR	D3408-5202-AR	B	16	39.75 (1.56)	10µ" Gold				
517-D3428-5202-AR	D3428-5202-AR	B	20	44.83 (1.76)	10µ" Gold				
517-D3429-5202-AR	D3429-5202-AR	B	26	52.45 (2.06)	10µ" Gold				
517-N3793-5202RB	N3793-5202RB	B	10	32.13 (1.26)	30µ" Gold				
517-N3314-5202RB	N3314-5202RB	B	14	37.21 (1.46)	30µ" Gold				
517-N3408-5202RB	N3408-5202RB	B	16	39.75 (1.56)	30µ" Gold				
517-N3428-5202RB	N3428-5202RB	B	20	44.83 (1.76)	30µ" Gold				
517-N3627-5202RB	N3627-5202RB	B	24	49.91 (1.96)	30µ" Gold				
517-N3429-5202RB	N3429-5202RB	B	26	52.45 (2.06)	30µ" Gold				
517-N3440-5202RB	N3440-5202RB	B	30	57.53 (2.26)	30µ" Gold				
517-N3431-5202RB	N3431-5202RB	B	34	62.61 (2.46)	30µ" Gold				
517-N3432-5202RB	N3432-5202RB	B	40	70.23 (2.76)	30µ" Gold				
517-N3433-5202RB	N3433-5202RB	B	50	82.93 (3.26)	30µ" Gold				
517-N3764-5202RB	N3764-5202RB	B	64	100.71 (3.96)	30µ" Gold				
With Long Roll Pin Latch/Ejectors									
517-D3793-5302-AR	D3793-5302-AR	B	10	32.13 (1.26)	10µ" Gold				
517-D3408-5302-AR	D3408-5302-AR	B	16	39.75 (1.56)	10µ" Gold				
517-D3428-5302-AR	D3428-5302-AR	B	20	44.83 (1.76)	10µ" Gold				
517-D3431-5302-AR	D3431-5302-AR	B	34	62.61 (2.46)	10µ" Gold				
517-D3432-5302-AR	D3432-5302-AR	B	40	70.23 (2.76)	10µ" Gold				
517-D3433-5302-AR	D3433-5302-AR	B	50	82.93 (3.26)	10µ" Gold				
517-N3793-5302RB	N3793-5302RB	B	10	32.13 (1.26)	30µ" Gold				
517-N3314-5302RB	N3314-5302RB	B	14	37.21 (1.46)	30µ" Gold				
517-N3408-5302RB	N3408-5302RB	B	16	39.75 (1.56)	30µ" Gold				
517-N3428-5302RB	N3428-5302RB	B	20	44.83 (1.76)	30µ" Gold				
517-N3627-5302RB	N3627-5302RB	B	24	49.91 (1.96)	30µ" Gold				
517-N3429-5302RB	N3429-5302RB	B	26	52.45 (2.06)	30µ" Gold				
517-N3431-5302RB	N3431-5302RB	B	34	62.61 (2.46)	30µ" Gold				
517-N3432-5302RB	N3432-5302RB	B	40	70.23 (2.76)	30µ" Gold				
517-N3433-5302RB	N3433-5302RB	B	50	82.93 (3.26)	30µ" Gold				
517-N3372-5302RB	N3372-5302RB	B	60	95.63 (3.76)	30µ" Gold				
517-N3764-5302RB	N3764-5302RB	B	64	100.71 (3.96)	30µ" Gold				

