

# HARTING Heavy Duty Han® Power Connectors



## HEAVY DUTY HAN® POWER CONNECTORS

### Han® Hoods and Housings For A and B Inserts

Full Compliance to NEMA Type 4/12

Hoods/Housings Selection: Select the hood/housing combination that will accommodate the same size male/female inserts selected from the previous pages.

Ingress Protection: Size 3A Metal = IP 44  
Size 3A Plastic = IP 65  
All other Metal Sizes = IP 65

Hoods/Housings Color: Gray (RAL 7037)

Mating Information: Hoods mate with any Housings of the same size and lever type.

Hood Cable Glands: Cable Glands are not included with hoods and must be ordered off the accessory page based on PG size and cable diameter.

• RoHS Compliant per HARTING documentation



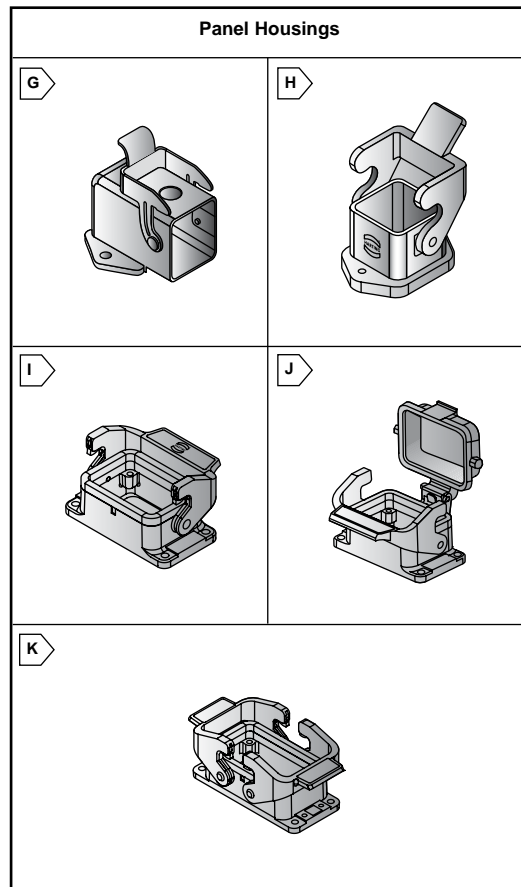
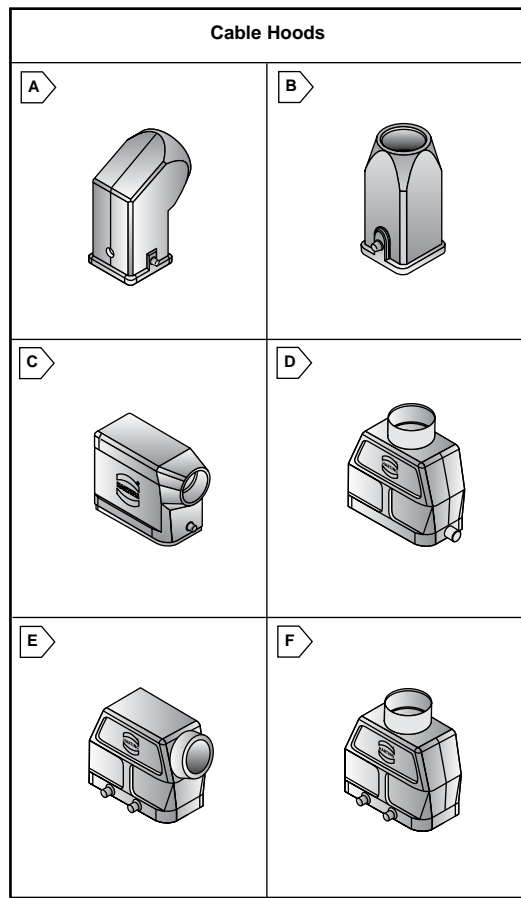
RoHS Compliant



All hoods are also available in metric threads. Please see your Mouser Sales Representative for more information.

Han® Cable Hoods \* Plastic For quantities of 50 and up, call for quote.

MOUSER STOCK NO.	HARTING Part No.	Fig.	Han® Size	Cable Entry	Lever Type	PG Size	Price Each		
							1	10	25
<b>Size 3A - Standard Profile</b>									
617-09-20-003-1640	09 20 003 1640	A	3A	Right Angle	Single	11			
* 617-09-20-003-0620	09 20 003 0620	A	3A	Right Angle	Single	11			
617-09-20-003-1440	09 20 003 1440	B	3A	Straight	Single	11			
* 617-09-20-003-0420	09 20 003 0420	B	3A	Straight	Single	11			
<b>Size 10A - Standard Profile</b>									
617-09-20-010-0540	09 20 010 0540	C	10A	Right Angle	Single	16			
617-09-20-010-0541	09 20 010 0541	C	10A	Right Angle	Single	21			
617-09-20-010-0440	09 20 010 0440	D	10A	Straight	Single	16			
617-09-20-010-0441	09 20 010 0441	D	10A	Straight	Single	21			
<b>Size 10A - Low Profile</b>									
617-09-20-010-1541	09 20 010 1541	C	10A	Right Angle	Single	16			
617-09-20-010-1440	09 20 010 1440	D	10A	Straight	Single	13.5			
<b>Size 16A - Standard Profile</b>									
617-09-20-016-0541	09 20 016 0541	C	16A	Right Angle	Single	21			
617-09-20-016-0441	09 20 016 0441	D	16A	Straight	Single	21			
<b>Size 16A - Low Profile</b>									
617-09-20-016-1541	09 20 016 1541	C	16A	Right Angle	Single	16			
617-09-20-016-1441	09 20 016 1441	D	16A	Straight	Single	16			
<b>Size 6B - Standard Profile</b>									
617-09-30-006-0542	09 30 006 0542	C	6B	Right Angle	Single	21			
617-09-30-006-0543	09 30 006 0543	C	6B	Right Angle	Single	29			
617-09-30-006-0442	09 30 006 0442	D	6B	Straight	Single	21			
617-09-30-006-0443	09 30 006 0443	D	6B	Straight	Single	29			
<b>Size 6B - Low Profile</b>									
617-09-30-006-1541	09 30 006 1541	C	6B	Right Angle	Single	16			
617-09-30-006-1441	09 30 006 1441	D	6B	Straight	Single	16			
<b>Size 10B - Standard Profile</b>									
617-09-30-010-0542	09 30 010 0542	C	10B	Right Angle	Single	21			
617-09-30-010-0543	09 30 010 0543	C	10B	Right Angle	Single	29			
617-09-30-010-0442	09 30 010 0442	D	10B	Straight	Single	21			
617-09-30-010-0443	09 30 010 0443	D	10B	Straight	Single	29			
617-09-30-010-0522	09 30 010 0522	E	10B	Right Angle	Double	21			
617-09-30-010-0523	09 30 010 0523	E	10B	Right Angle	Double	29			
617-09-30-010-0422	09 30 010 0422	F	10B	Straight	Double	21			
617-09-30-010-0423	09 30 010 0423	F	10B	Straight	Double	29			
<b>Size 16B - Standard Profile</b>									
617-09-30-016-0541	09 30 016 0541	C	16B	Right Angle	Single	29			
617-09-30-016-0441	09 30 016 0441	D	16B	Straight	Single	29			
617-09-30-016-0521	09 30 016 0521	E	16B	Right Angle	Double	29			
617-09-30-016-0421	09 30 016 0421	F	16B	Straight	Double	29			
<b>Size 16B - Low Profile</b>									
617-09-30-016-1540	09 30 016 1540	C	16B	Right Angle	Single	21			
617-09-30-016-1440	09 30 016 1440	D	16B	Straight	Single	21			
<b>Size 24B - Standard Profile</b>									
617-09-30-024-0541	09 30 024 0541	C	24B	Right Angle	Single	29			
617-09-30-024-0440	09 30 024 0440	D	24B	Straight	Single	21			
617-09-30-024-0441	09 30 024 0441	D	24B	Straight	Single	29			
617-09-30-024-0521	09 30 024 0521	E	24B	Right Angle	Double	29			
617-09-30-024-0420	09 30 024 0420	F	24B	Straight	Double	21			
617-09-30-024-0421	09 30 024 0421	F	24B	Straight	Double	29			
<b>Size 24B - Low Profile</b>									
617-09-30-024-1540	09 30 024 1540	C	24B	Right Angle	Single	21			
617-09-30-024-1520	09 30 024 1520	E	24B	Right Angle	Double	21			



Han® Panel Housings \* Plastic For quantities of 50 and up, call for quote.

MOUSER STOCK NO.	HARTING Part No.	Fig.	Han® Size	Mount Type	Lever Type	Price Each		
						1	10	25
617-09-20-003-0801	09 20 003 0801	G	3A	Right Angle	Single			
* 617-09-20-003-0820	09 20 003 0820	G	3A	Right Angle	Single			
617-09-20-003-0301	09 20 003 0301	H	3A	Straight	Single			
* 617-09-20-003-0320	09 20 003 0320	H	3A	Straight	Single			
617-09-20-010-0301	09 20 010 0301	I	10A	Straight	Single			
617-09-20-016-0301	09 20 016 0301	I	16A	Straight	Single			
617-09-30-006-0301	09 30 006 0301	I	6B	Straight	Single			
617-09-30-006-0302	09 30 006 0302	J	6B	Straight w/ Cover	Single			
617-09-30-010-0305	09 30 010 0305	I	10B	Straight	Single			
617-09-30-010-0303	09 30 010 0303	J	10B	Straight w/ Cover	Single			
617-09-30-010-0301	09 30 010 0301	K	10B	Straight	Double			
617-09-30-016-0307	09 30 016 0307	I	16B	Straight	Single			
617-09-30-016-0306	09 30 016 0306	J	16B	Straight w/ Cover	Single			
617-09-30-016-0301	09 30 016 0301	K	16B	Straight	Double			
617-09-30-024-0307	09 30 024 0307	I	24B	Straight	Single			
617-09-30-024-0304	09 30 024 0304	J	24B	Straight w/ Cover	Single			
617-09-30-024-0301	09 30 024 0301	K	24B	Straight	Double			

HARTING Rectangular Power