

SOURIAU Sealed Plastic Circular Connectors and Tooling

SOURIAU
Connection Technology

TRIM TRIO™ UTS SERIES WITH IP68/69K SEALING

Specifications:

- Connectors and Backshell Material: Thermoplastic
- ROHS Compliant per Souriau Documentation
- Operating temp: -40°C to +105°C
- Quick, secure, and reliable bayonet locking system
- UTS Connectors accept TRIM TRIO® removable snap lock contacts
- UV resistant - Suitable for outdoor use
- Contacts ordered separately (see Souriau Contacts and Tooling page)

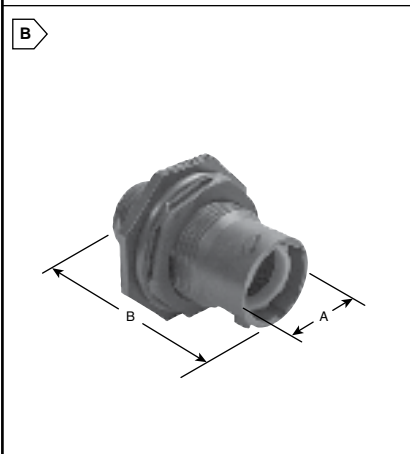
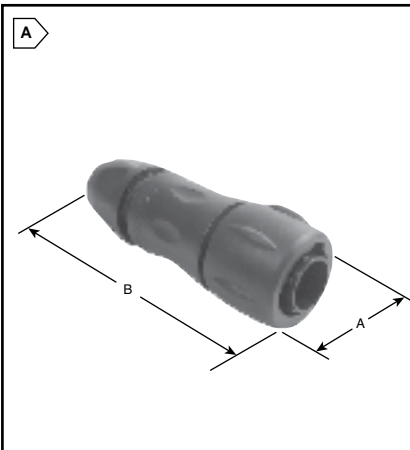


RoHS Compliant

Cable Plugs with Backshell for Pin and Socket Contacts

For quantities of 50 and up, call for quote.

| MOUSER STOCK NO. | Souriau Part No. | Fig. | Shell Size | No. of Contacts | Contact Type | Contact Size | Dimensions: mm | | Price Each | | |
|------------------|------------------|------|------------|-----------------|--------------|--------------|----------------|------|------------|----|----|
| | | | | | | | A | B | 1 | 10 | 25 |
| 649-UTS6JC103P | UTS6JC103P | A | 10 | 3 | Pin | 16 | 26.2 | 63.2 | | | |
| 649-UTS6JC104P | UTS6JC104P | A | 10 | 4 | Pin | 16 | 26.2 | 63.2 | | | |
| 649-UTS6JC106P | UTS6JC106P | A | 10 | 6 | Pin | 20 | 26.2 | 63.2 | | | |
| 649-UTS6JC124P | UTS6JC124P | A | 12 | 4 | Pin | 16 | 29.7 | 66.7 | | | |
| 649-UTS6JC128P | UTS6JC128P | A | 12 | 8 | Pin | 16 | 29.7 | 66.7 | | | |
| 649-UTS6JC1210P | UTS6JC1210P | A | 12 | 10 | Pin | 20 | 29.7 | 66.7 | | | |
| 649-UTS6JC147P | UTS6JC147P | A | 14 | 7 | Pin | 16 | 34.6 | 71.5 | | | |
| 649-UTS6JC1412P | UTS6JC1412P | A | 14 | 12 | Pin | 16 | 34.6 | 71.5 | | | |
| 649-UTS6JC1419P | UTS6JC1419P | A | 14 | 19 | Pin | 20 | 34.6 | 71.5 | | | |
| 649-UTS6JC103S | UTS6JC103S | A | 10 | 3 | Socket | 16 | 26.2 | 63.2 | | | |
| 649-UTS6JC104S | UTS6JC104S | A | 10 | 4 | Socket | 16 | 26.2 | 63.2 | | | |
| 649-UTS6JC106S | UTS6JC106S | A | 10 | 6 | Socket | 20 | 26.2 | 63.2 | | | |
| 649-UTS6JC124S | UTS6JC124S | A | 12 | 4 | Socket | 16 | 29.7 | 66.7 | | | |
| 649-UTS6JC128S | UTS6JC128S | A | 12 | 8 | Socket | 16 | 29.7 | 66.7 | | | |
| 649-UTS6JC1210S | UTS6JC1210S | A | 12 | 10 | Socket | 20 | 29.7 | 66.7 | | | |
| 649-UTS6JC147S | UTS6JC147S | A | 14 | 7 | Socket | 16 | 34.6 | 71.5 | | | |
| 649-UTS6JC1412S | UTS6JC1412S | A | 14 | 12 | Socket | 16 | 34.6 | 71.5 | | | |
| 649-UTS6JC1419S | UTS6JC1419S | A | 14 | 19 | Socket | 20 | 34.6 | 71.5 | | | |



Jam Nut Receptacles (Panel Version) for Pin and Socket Contacts

For quantities of 50 and up, call for quote.

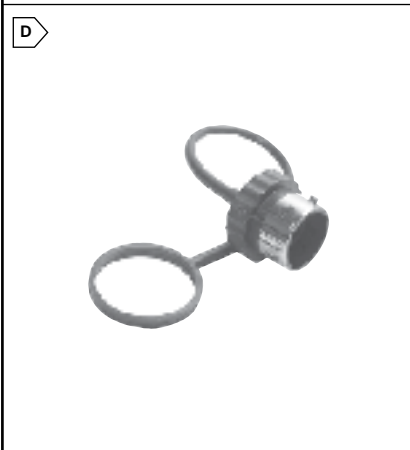
| MOUSER STOCK NO. | Souriau Part No. | Fig. | Shell Size | No. of Contacts | Contact Type | Contact Size | Dimensions: mm | | Price Each | | |
|------------------|------------------|------|------------|-----------------|--------------|--------------|----------------|------|------------|----|----|
| | | | | | | | A | B | 1 | 10 | 25 |
| 649-UTS7103P | UTS7103P | B | 10 | 3 | Pin | 16 | 16.6 | 33.9 | | | |
| 649-UTS7104P | UTS7104P | B | 10 | 4 | Pin | 16 | 16.6 | 33.9 | | | |
| 649-UTS7106P | UTS7106P | B | 10 | 6 | Pin | 20 | 16.6 | 33.9 | | | |
| 649-UTS7124P | UTS7124P | B | 12 | 4 | Pin | 16 | 20.8 | 33.9 | | | |
| 649-UTS7128P | UTS7128P | B | 12 | 8 | Pin | 16 | 20.8 | 33.9 | | | |
| 649-UTS71210P | UTS71210P | B | 12 | 10 | Pin | 20 | 20.8 | 33.9 | | | |
| 649-UTS7147P | UTS7147P | B | 14 | 7 | Pin | 16 | 23.9 | 33.9 | | | |
| 649-UTS71412P | UTS71412P | B | 14 | 12 | Pin | 16 | 23.9 | 33.9 | | | |
| 649-UTS71419P | UTS71419P | B | 14 | 19 | Pin | 20 | 23.9 | 33.9 | | | |
| 649-UTS7103S | UTS7103S | B | 10 | 3 | Socket | 16 | 16.6 | 33.9 | | | |
| 649-UTS7104S | UTS7104S | B | 10 | 4 | Socket | 16 | 16.6 | 33.9 | | | |
| 649-UTS7106S | UTS7106S | B | 10 | 6 | Socket | 20 | 16.6 | 33.9 | | | |
| 649-UTS7124S | UTS7124S | B | 12 | 4 | Socket | 16 | 20.8 | 33.9 | | | |
| 649-UTS7128S | UTS7128S | B | 12 | 8 | Socket | 16 | 20.8 | 33.9 | | | |
| 649-UTS71210S | UTS71210S | B | 12 | 10 | Socket | 20 | 20.8 | 33.9 | | | |
| 649-UTS7147S | UTS7147S | B | 14 | 7 | Socket | 16 | 23.9 | 33.9 | | | |
| 649-UTS71412S | UTS71412S | B | 14 | 12 | Socket | 16 | 23.9 | 33.9 | | | |
| 649-UTS71419S | UTS71419S | B | 14 | 19 | Socket | 20 | 23.9 | 33.9 | | | |



Receptacle Sealing Caps and Plugs

For quantities of 50 and up, call for quote.

| MOUSER STOCK NO. | Souriau Part No. | Fig. | Shell Size | Type | Price Each | | |
|------------------|------------------|------|------------|------------|------------|----|----|
| | | | | | 1 | 10 | 25 |
| 649-UTS10DCG | UTS10DCG | C | 10 | Receptacle | | | |
| 649-UTS12DCG | UTS12DCG | C | 12 | Receptacle | | | |
| 649-UTS14DCG | UTS14DCG | C | 14 | Receptacle | | | |
| 649-UTS610DCG | UTS610DCG | D | 10 | Plug | | | |
| 649-UTS612DCG | UTS612DCG | D | 12 | Plug | | | |
| 649-UTS614DCG | UTS614DCG | D | 14 | Plug | | | |



Color Coding Rings

For quantities of 50 and up, call for quote.

| MOUSER STOCK NO. | Souriau Part No. | Shell Size | Type | Price Each | | |
|------------------|------------------|------------|--------|------------|----|----|
| | | | | 1 | 10 | 25 |
| 649-UTS710CCRG | UTS710CCRG | 10 | Green | | | |
| 649-UTS712CCRG | UTS712CCRG | 12 | Green | | | |
| 649-UTS714CCRG | UTS714CCRG | 14 | Green | | | |
| 649-UTS710CCRY | UTS710CCRY | 10 | Yellow | | | |
| 649-UTS712CCRY | UTS712CCRY | 12 | Yellow | | | |
| 649-UTS714CCRY | UTS714CCRY | 14 | Yellow | | | |
| 649-UTS710CCRR | UTS710CCRR | 10 | Red | | | |
| 649-UTS712CCRR | UTS712CCRR | 12 | Red | | | |
| 649-UTS714CCRR | UTS714CCRR | 14 | Red | | | |