

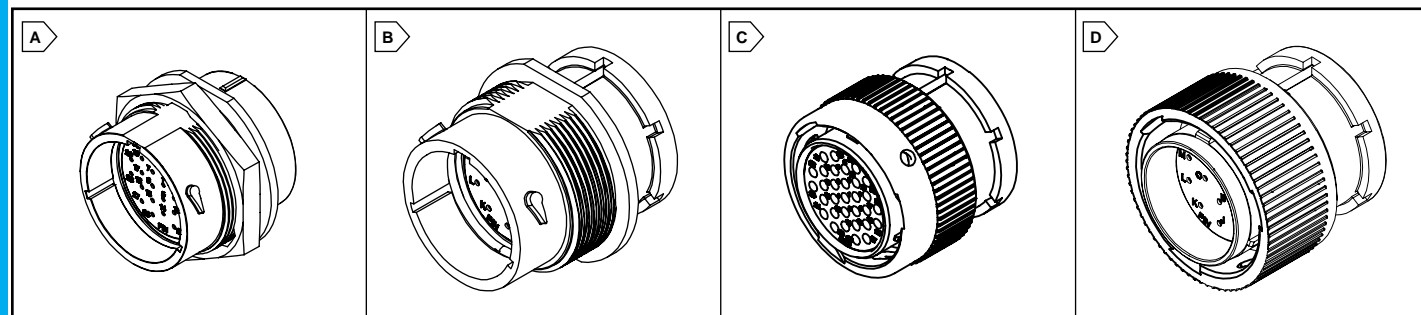
MOLEX XRC™ Circular Connectors



RoHS compliant This product is RoHS compliant.

MOLEX XRC™ - EXTRA RUGGED SEALED PLASTIC CIRCULAR CONNECTORS

XRC™ is available to meet the demanding requirements of the non-automotive transportation markets. These economical rugged circular connectors are ideal for heavy-duty applications.



Features:

- Bayonet-style latch
- IP67 environmentally sealed
- Backshell available for 24-shell size
- Tactile and audible feedback
- Standard and reverse genders for custom polarization
- Crimp and poke technology

Specifications:

- Housings: Glass-filled PBT
- Seals: Silicone rubber, rust red
- Terminals: Contact area plating - Nickel
- Current: 18AWG - 10.0A max, 16-14AWG - 13.0A max
- Operating Temperature: -40 to +125°C
- Contact retention to housing: 53.4N (12 lbs)



RoHS Compliant

Receptacles

For quantities of 25 and up, call for quote.

MOUSER STOCK NO.	Molex Part No.	Fig.	Shell Size	No. of Circuits	Insert Type	Wire Range AWG	Seal Retainer	Price Each		
								1	5	10
538-84511-0004	84511-0004	A	24	31	Pin	14-18	Without Collar			
538-84506-0001	84506-0001	A	24	31	Socket	14-18	Without Collar			
538-84511-0005	84511-0005	A	24	31	Pin	14-18	With Collar			
538-84506-0003	84506-0003	A	24	31	Socket	14-18	With Collar			
538-84502-0008	84502-0008	B	18	14	Pin	14-18	With Collar			
538-84508-0001	84508-0001	B	18	14	Socket	14-18	With Collar			

Features:

- Bayonet-style latch
- IP67 environmentally sealed
- Backshell available for 24-shell size
- Tactile and audible feedback
- Standard and reverse genders for custom polarization
- Crimp and poke technology

Specifications:

- Housings: Glass-filled PBT
- Seals: Silicone rubber, rust red
- Terminals: Contact area plating - Nickel
- Current: 18AWG - 10.0A max, 16-14AWG - 13.0A max
- Operating Temperature: -40 to +125°C
- Contact retention to housing: 53.4N (12 lbs)



RoHS Compliant

Plugs

For quantities of 25 and up, call for quote.

MOUSER STOCK NO.	Molex Part No.	Fig.	Shell Size	No. of Circuits	Insert Type	Wire Range AWG	Seal Retainer	Price Each		
								1	5	10
538-84505-0001	84505-0001	C	24	31	Pin	14-18	Without Collar			
538-84510-0004	84510-0004	C	24	31	Socket	14-18	Without Collar			
538-84505-0003	84505-0003	C	24	31	Pin	14-18	With Collar			
538-84510-0005	84510-0005	C	24	31	Socket	14-18	With Collar			
538-84501-0001	84501-0001	D	18	14	Pin	14-18	With Collar			
538-84507-0012	84507-0012	D	18	14	Socket	14-18	With Collar			



RoHS Compliant

Terminals

For quantities of 1000 and up, call for quote.

MOUSER STOCK NO.	Molex Part No.	Fig.	Terminal Size	Wire Range AWG	Gender	Insulation Outside Diameter	Price Each		
							1	100	500
538-84590-0024	84590-0024	-	16	14-18	Socket	2.41 to 3.81 mm			
538-84590-0021	84590-0021	-	16	14-18	Pin	2.41 to 3.81 mm			
538-84590-0023	84590-0023	-	16	14-18	Socket	1.91 to 3.81 mm			
538-84590-0022	84590-0022	-	16	14-18	Pin	1.91 to 3.81 mm			
538-84590-0025	84590-0025	-	16	16-18	Socket	1.40 to 2.16 mm			
538-84590-0020	84590-0020	-	16	16-18	Pin	1.40 to 2.16 mm			



RoHS Compliant

Accessories

For quantities of 1000 and up, call for quote.

MOUSER STOCK NO.	Molex Part No.	Fig.	Description	Use With	Price Each		
					1	100	500
538-84509-0002	84509-0002	-	Circuit Plug	Plugs & Receptacles - Shell Size 24,18			
538-84506-0012	84506-0012	-	Panel Mount Hex Nut - Shell Size 24	Receptacles - Shell Size 24			
538-84502-0004	84502-0004	-	Panel Mount Hex Nut - Shell Size 18	Receptacles - Shell Size 18			
538-84537-0003	84537-0003	-	Backshell, Straight long - Shell Size 24	Plugs & Receptacles - Shell Size 24			

NEW FROM MOLEX

Circular Connectors

NEW FROM MOLEX