

JAE Circular Connectors

Technology to Inspire Innovation



This product is RoHS compliant.

JB5 SERIES GENERAL PURPOSE WATERPROOF CIRCULAR CONNECTORS

This I/O connector features a secure push-pull mating system and is suitable for use in devices such as handheld PC's, scanners, portable instruments, medical monitors, and any other device used in outdoor or splash-prone environments. Metal micro-circular connector. Waterproof seal to IP68. Series operates at speeds up to 20 Mbps (based on USB1.1)

Specifications:

- Added key to all positions (except 8 pos.) to prevent mis-matching
- Current rating: 2A per contact
- Dielectric withstanding voltage: 200VAC for 1 minute
- Shell/Coupling Nut/Assembly Nut/Gland Nut: Copper/Chromium plated
- Shield Sleeve/Clamp/Spacer/Spring: Copper/Nickel plated
- Operating temperature: -55°C to +85°C
- Insulator: Glass-filled LCP
- Contact plating: 30µin Au over Ni
- Barrel: Zinc/Nickel plated
- RoHS Compliance per JAE documentation

JB5 parts with keys (N) will not mate with JB5 without keys.

For quantities of 50 and up, call for quote.

MOUSER STOCK NO.	JAE Part No.	Fig.	Pos.	Description	Price Each		
					1	10	25
656-JB5CS05FM00N	JB5CS05FM00N	A	5	Receptacle with solder cups with key			
656-JB5CS06FN00N	JB5CS06FN00N	A	6	Receptacle with solder cups with key			
656-JB5CS08FN00	JB5CS08FN00	A	8	Receptacle with solder cups without key			
656-JB5DS04MM11N	JB5DS04MM11N	B	4	Plug with solder cup terminals with key			
656-JB5DS05MM11N	JB5DS05MM11N	B	5	Plug with solder cup terminals with key			
656-JB5DS06MM11N	JB5DS06MM11N	B	6	Plug with solder cup terminals with key			
656-JB5DS08MM11	JB5DS08MM11	B	8	Plug with solder cup terminals without key			

Tools

For quantities of 5 and up, call for quote.

MOUSER STOCK NO.	JAE Part No.	Description	Price Each
656-JB5-BIT-001	JT-JB5-1	Receptacle nut wrench tool	
656-WT-JB5-1-3	WT-JB5-1-3	Plug assembly jig for 3 position plug	
656-WT-JB5-1-4	WT-JB5-1-4	Plug assembly jig for 4 position plug	
656-WT-JB5-1-5	WT-JB5-1-5	Plug assembly jig for 5 position plug	
656-WT-JB5-1-6	WT-JB5-1-6	Plug assembly jig for 6 position plug	
656-WT-JB5-1-8	WT-JB5-1-8	Plug assembly jig for 8 position plug	

JN1 SERIES GENERAL PURPOSE WATERPROOF MINIATURE CONNECTORS

All plastic, waterproof to IP67. Twisting locking mechanism.

Specifications:

- Current rating: 5 amps (4 Pin) or 3 amps (10 Pin) per contact
- Dielectric withstanding voltage: 2000VAC (4 Pin) or 900VAC (10 Pin) r.m.s. for one minute
- Insulation resistance: 1000 MΩ min.
- Operating temperature: -20°C to +125°C
- Applicable wire size: # 20, # 21-25, # 26-28
- RoHS Compliance per JAE documentation
- Receptacle:
 - Pin Insulator: Synthetic resin
 - Pin Contact: Copper alloy / Gold plating (10 pins) or Silver plating (4 Pins)
- Plug:
 - Front & Rear Insulator: Synthetic resin
 - Spring & Spring Pin: Stainless Steel
 - Socket Contact: Copper alloy / Gold plating (10 pins) or Silver plating (4 Pins)

*Right angle plug can be mated in 4 different directions by rotating the connector 90 degrees.

For quantities of 50 and up, call for quote.

MOUSER STOCK NO.	JAE Part No.	Fig.	No. of Contacts	Contact Size	Description	Price Each		
						1	10	25
Panel Mount								
656-JN1AS04MK1	JN1AS04MK1	C	4	20 AWG	Pin with Solder			
656-JN1AS10UL1	JN1AS10UL1	C	10	22 AWG	Through Hole Pin			
Straight Plugs								
656-JN1DS04FK1	JN1DS04FK1	D	4	20 AWG	Socket with Soldering			
656-JN1DS10SL1	JN1DS10SL1	D	10	22 AWG	Crimp Socket, 5.7-7.3mm Dia. Cable			
656-JN1DS10SL2	JN1DS10SL2	D	10	22 AWG	Crimp Socket, 6.5-8mm Dia. Cable			
Right Angle Plug*								
656-JN1FS10SL2	JN1FS10SL2	E	10	22 AWG	R/A Plug, 6.5-8mm Dia. Cable			

Contact

For quantities of 1000 and up, call for quote.

MOUSER STOCK NO.	JAE Part No.	Description	Price Each		
			1	100	500
656-JN1-22-22S	JN1-22-22S-10000	Socket Contact for Wire sizes 21-25 AWG			

Tool

For quantities of 5 and up, call for quote.

MOUSER STOCK NO.	JAE Part No.	Description	Price Each
656-CT150-2-JN1-B	CT150-2-JN1-B	Hand Crimp Tool	

JN2 SERIES GENERAL PURPOSE WATERPROOF MINIATURE CONNECTORS

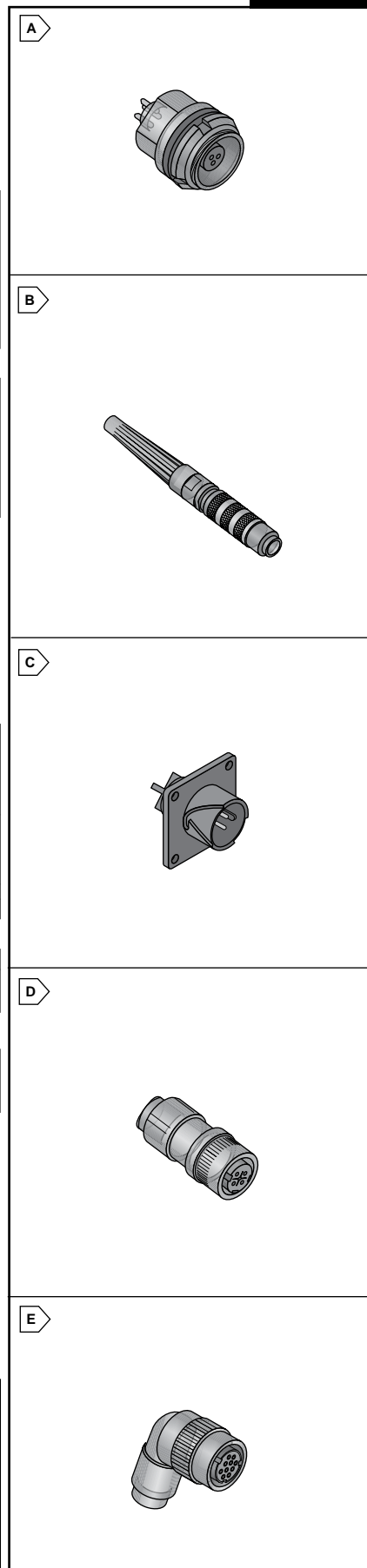
Similar to our JN1 series except that the outer shell has been reinforced with a zinc alloy for extra ruggedness. This connector meets IP67 waterproof rating.

Specifications:

- Current rating: 5 amps (4 Pin) or 3 amps (10 Pin) per contact
- Dielectric withstanding voltage: 2000VAC (4 Pin) or 900VAC (10 Pin) r.m.s. for one minute
- Insulation resistance: 1000 MΩ min.
- Operating temperature: -20°C to +100°C
- Uses the JN1 contact
- RoHS Compliance per JAE documentation
- Receptacle:
 - Pin Insulator: Synthetic resin
 - Pin Contact: Copper alloy / Gold plating (10 pins) or Silver plating (4 Pins)
 - Shell: Zinc spelter die-cast/Zinc plating
- Plug:
 - Front & Rear Insulator: Synthetic resin
 - Spring: Stainless Steel
 - Spring Pin: Synthetic resin
 - Socket Contact: Copper alloy / Gold plating (10 pins) or Silver plating (4 Pins)

For quantities of 50 and up, call for quote.

MOUSER STOCK NO.	JAE Part No.	Fig.	No. of Contacts	Contact Size	Description	Price Each		
						1	10	25
Panel Mount								
656-JN2AS10UL1-R	JN2AS10UL1-R	C	10	22 AWG	Through-hole pin			
Straight Plugs								
656-JN2DS04FK1-R	JN2DS04FK1-R	D	4	20 AWG	Socket with soldering			
656-JN2DS10SL1-R	JN2DS10SL1-R	D	10	22 AWG	Crimp Socket, 5.7-7.3mm Dia. Cable			
656-JN2DS10SL2-R	JN2DS10SL2-R	D	10	22 AWG	Crimp Socket, 6.5-8mm Dia. Cable			
Angle Plugs								
656-JN2FS10SL1-R	JN2FS10SL1-R	E	10	22 AWG	Crimp Socket, 5.7-7.3mm Dia. Cable			
656-JN2FS10SL2-R	JN2FS10SL2-R	E	10	22 AWG	Crimp Socket, 6.5-8mm Dia. Cable			



Circular Connectors JAE