

HIROSE Circular Connectors

RoHS Compliant This product is RoHS compliant.

HR5
HIROSE ELECTRIC CO., LTD.

Shell Size	LF07		LF10		LF13	
Contact Configuration						
No. of Contacts	3	6	4	12	11	20

LF SERIES MINIATURE WATERPROOF SHIELDED CONNECTORS

All components are self-aligning and do not require complex assembly tooling. The shield of the cable is connected using a simple shielding clamp, supplied with the connector with the metal housing of the connector.

RoHS Compliant

Features:

- Short turn bayonet lock
- Contact Plating: Gold
- IP67

Applications:

- Sensors
- Robots
- Factory Automation
- Medical
- Surveillance
- Surveying Instruments

Plugs

For quantities of 250 and up, call for quote.

MOUSER STOCK NO.	Hirose Part No.	Fig.	Shell Size	No. of Contacts	Current Rating	Contact Gender	Price Each			
							1	10	50	100
798-LF07WBP-6S	LF07WBP-6S	A	7	6	2A	Female				
798-LF07WBP-6P	LF07WBP-6P	A	7	6	2A	Male				
798-LF07WBP-3S	LF07WBP-3S	A	7	3	5A	Female				
798-LF07WBP-3P	LF07WBP-3P	A	7	3	5A	Male				
798-LF10WBP-4S	LF10WBP-4S	A	10	4	10A	Female				
798-LF10WBP-4P	LF10WBP-4P	A	10	4	10A	Male				
798-LF10WBP-12S	LF10WBP-12S	A	10	12	2A	Female				
798-LF10WBP-12P	LF10WBP-12P	A	10	12	2A	Male				
798-LF13WBP-20S	LF13WBP-20S	A	13	20	2A	Female				
798-LF13WBP-20P	LF13WBP-20P	A	13	20	2A	Male				
798-LF13WBP-11S	LF13WBP-11S	A	13	11	10A / 2A	Female				
798-LF13WBP-11P	LF13WBP-11P	A	13	11	10A / 2A	Male				

Receptacles

For quantities of 250 and up, call for quote.

MOUSER STOCK NO.	Hirose Part No.	Fig.	Shell Size	No. of Contacts	Current Rating	Contact Gender	Price Each			
							1	10	50	100
798-LF07WBR-6S	LF07WBR-6S	B	7	6	2A	Female				
798-LF07WBR-6P	LF07WBR-6P	B	7	6	2A	Male				
798-LF07WBR-3S	LF07WBR-3S	B	7	3	5A	Female				
798-LF07WBR-3P	LF07WBR-3P	B	7	3	5A	Male				
798-LF10WBR-4S	LF10WBR-4S	B	10	4	10A	Female				
798-LF10WBR-4P	LF10WBR-4P	B	10	4	10A	Male				
798-LF10WBR-12S	LF10WBR-12S	B	10	12	2A	Female				
798-LF10WBR-12P	LF10WBR-12P	B	10	12	2A	Male				
798-LF13WBR-20S	LF13WBR-20S	B	13	20	2A	Female				
798-LF13WBR-20P	LF13WBR-20P	B	13	20	2A	Male				
798-LF13WBR-11S	LF13WBR-11S	B	13	11	10A / 2A	Female				
798-LF13WBR-11P	LF13WBR-11P	B	13	11	10A / 2A	Male				

Jacks

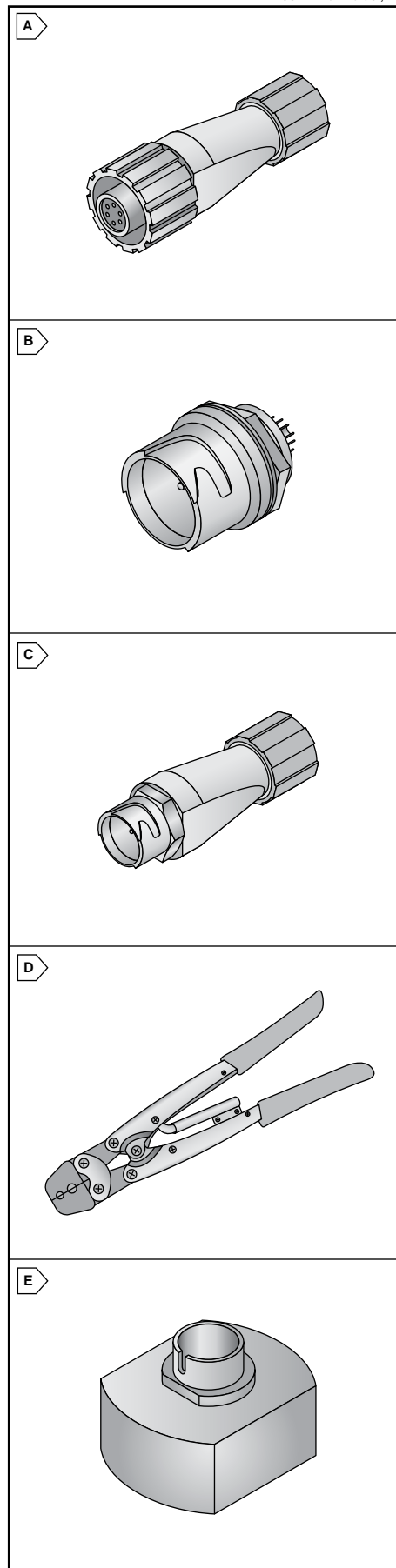
For quantities of 250 and up, call for quote.

MOUSER STOCK NO.	Hirose Part No.	Fig.	Shell Size	No. of Contacts	Current Rating	Contact Gender	Price Each			
							1	10	50	100
798-LF07WBJ-6S	LF07WBJ-6S	C	7	6	2A	Female				
798-LF07WBJ-6P	LF07WBJ-6P	C	7	6	2A	Male				
798-LF07WBJ-3S	LF07WBJ-3S	C	7	3	5A	Female				
798-LF07WBJ-3P	LF07WBJ-3P	C	7	3	5A	Male				
798-LF10WBJ-4S	LF10WBJ-4S	C	10	4	10A	Female				
798-LF10WBJ-4P	LF10WBJ-4P	C	10	4	10A	Male				
798-LF10WBJ-12S	LF10WBJ-12S	C	10	12	2A	Female				
798-LF10WBJ-12P	LF10WBJ-12P	C	10	12	2A	Male				
798-LF13WBJ-20S	LF13WBJ-20S	C	13	20	2A	Female				
798-LF13WBJ-20P	LF13WBJ-20P	C	13	20	2A	Male				
798-LF13WBJ-11S	LF13WBJ-11S	C	13	11	10A / 2A	Female				
798-LF13WBJ-11P	LF13WBJ-11P	C	13	11	10A / 2A	Male				

Tools and Accessories

For quantities of 10 and up, call for quote.

MOUSER STOCK NO.	Hirose Part No.	Fig.	Description	Price Each
Hand Tool				
798-LF-TC-01	LF-TC-01	D	Cable clamp tool crimp 7.3-8.7 diameter cable	
Solder Termination Fixtures				
798-LF07BP-T01	LF07BP-T01	E	Solder fixture for LF07WBP-6S, 6P, 3S, 3P	
798-LF07BJ-T01	LF07BJ-T01	E	Solder fixture for LF07WBJ-6S, 6P, 3S, 3P	
798-LF10BP-T01	LF10BP-T01	E	Solder fixture for LF10WBP-4S, 4P, 12S, 12P	
798-LF10BJ-T01	LF10BJ-T01	E	Solder fixture for LF10WBJ-4S, 4P, 12S, 12P	
798-LF13BP-T01	LF13BP-T01	E	Solder fixture for LF13WBP-20SP, 11SP	
798-LF13BJ-T01	LF13BJ-T01	E	Solder fixture for LF13WBJ-20SP, 11SP	



Circular Connectors Hirose