

CONXALL Mini-Con-X® Shielded Series

conxall
A Switchcraft Company

 This product is RoHS compliant.

FIELD INSTALLABLE CONNECTORS

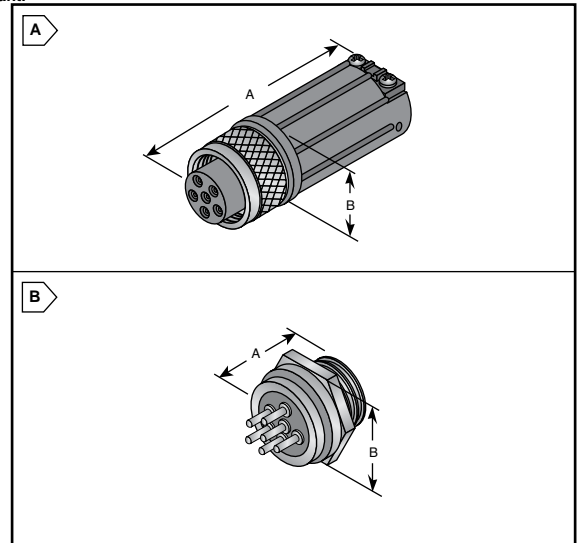
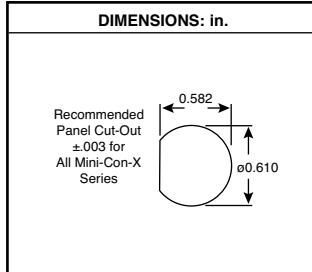
Low-cost shielded connectors for industrial and marine applications.

Features:

- Protects circuits from EMI and RF interference
- Rugged machined metal housing and construction
- Scoop-proof connector design
- Same panel cutout as MINI-CON-X®
- Suitable for use in hostile environments
- RoHS compliant per Conxall documentation

Specifications:

- Panel Shell, Cable Housing and Coupling Nuts: Nickel plated copper alloy
- Backshell and Strap: G.F. Nylon
- Operational Temperature limits: -40°C (-40°F) to +65°C (+149°F)
- Harsh Environment IP66/IP68, Shielded



Mini-Con-X Shielded

For quantities of 50 and up, call for quote.

MOUSER STOCK NO.	Conxall Part No.	Fig.	No. of Contacts	Contact Type	Contact Size	Contact * Rating	Dimension: in.		Price Each		
							A	B	1	10	25
Cable End											
502-SF6282-2PG-520	SF6282-2PG-520	A	2	Pin	20	7.5A	1.78	0.76			
502-SF6282-2SG-520	SF6282-2SG-520	A	2	Socket	20	7.5A	1.78	0.76			
502-SF6382-2PG-520	SF6382-2PG-520	A	2	Pin	16	13A	1.78	0.76			
502-SF6382-2SG-520	SF6382-2SG-520	A	2	Socket	16	13A	1.78	0.76			
502-SF6282-3PG-520	SF6282-3PG-520	A	3	Pin	20	7.5A	1.78	0.76			
502-SF6282-3SG-520	SF6282-3SG-520	A	3	Socket	20	7.5A	1.78	0.76			
502-SF6382-3PG-520	SF6382-3PG-520	A	3	Pin	16	13A	1.78	0.76			
502-SF6382-3SG-520	SF6382-3SG-520	A	3	Socket	16	13A	1.78	0.76			
502-SF6282-4PG-520	SF6282-4PG-520	A	4	Pin	20	5.6A	1.78	0.76			
502-SF6282-4SG-520	SF6282-4SG-520	A	4	Socket	20	5.6A	1.78	0.76			
502-SF6382-4PG-520	SF6382-4PG-520	A	4	Pin	16	9.75A	1.78	0.76			
502-SF6382-4SG-520	SF6382-4SG-520	A	4	Socket	16	9.75A	1.78	0.76			
502-SF6282-5PG-520	SF6282-5PG-520	A	5	Pin	20	5.6A	1.78	0.76			
502-SF6282-5SG-520	SF6282-5SG-520	A	5	Socket	20	5.6A	1.78	0.76			
502-SF6382-5PG-520	SF6382-5PG-520	A	5	Pin	16	9.75A	1.78	0.76			
502-SF6382-5SG-520	SF6382-5SG-520	A	5	Socket	16	9.75A	1.78	0.76			
502-SF6282-6PG-520	SF6282-6PG-520	A	6	Pin	20	5.6A	1.78	0.76			
502-SF6282-6SG-520	SF6282-6SG-520	A	6	Socket	20	5.6A	1.78	0.76			
502-SF6382-6PG-520	SF6382-6PG-520	A	6	Pin	16	9.75A	1.78	0.76			
502-SF6382-6SG-520	SF6382-6SG-520	A	6	Socket	16	9.75A	1.78	0.76			
502-SF6282-7PG-520	SF6282-7PG-520	A	7	Pin	20	4.8A	1.78	0.76			
502-SF6282-7SG-520	SF6282-7SG-520	A	7	Socket	20	4.8A	1.78	0.76			
502-SF6282-8PG-520	SF6282-8PG-520	A	8	Pin	20	4.8A	1.78	0.76			
502-SF6282-8SG-520	SF6282-8SG-520	A	8	Socket	20	4.8A	1.78	0.76			
Panel Mount (with hex nut and flanged gasket)											
502-SF7282-2PG-3ES	SF7282-2PG-3ES	B	2	Pin	20	7.5A	0.826	0.87			
502-SF7282-2SG-3ES	SF7282-2SG-3ES	B	2	Socket	20	7.5A	0.826	0.87			
502-SF7382-2PG-3ES	SF7382-2PG-3ES	B	2	Pin	16	13A	0.826	0.87			
502-SF7382-2SG-3ES	SF7382-2SG-3ES	B	2	Socket	16	13A	0.826	0.87			
502-SF7282-3PG-3ES	SF7282-3PG-3ES	B	3	Pin	20	7.5A	0.826	0.87			
502-SF7282-3SG-3ES	SF7282-3SG-3ES	B	3	Socket	20	7.5A	0.826	0.87			
502-SF7382-3PG-3ES	SF7382-3PG-3ES	B	3	Pin	16	13A	0.826	0.87			
502-SF7382-3SG-3ES	SF7382-3SG-3ES	B	3	Socket	16	13A	0.826	0.87			
502-SF7282-4PG-3ES	SF7282-4PG-3ES	B	4	Pin	20	5.6A	0.826	0.87			
502-SF7282-4SG-3ES	SF7282-4SG-3ES	B	4	Socket	20	5.6A	0.826	0.87			
502-SF7382-4PG-3ES	SF7382-4PG-3ES	B	4	Pin	16	9.75A	0.826	0.87			
502-SF7382-4SG-3ES	SF7382-4SG-3ES	B	4	Socket	16	9.75A	0.826	0.87			
502-SF7282-5PG-3ES	SF7282-5PG-3ES	B	5	Pin	20	5.6A	0.826	0.87			
502-SF7282-5SG-3ES	SF7282-5SG-3ES	B	5	Socket	20	5.6A	0.826	0.87			
502-SF7382-5PG-3ES	SF7382-5PG-3ES	B	5	Pin	16	9.75A	0.826	0.87			
502-SF7382-5SG-3ES	SF7382-5SG-3ES	B	5	Socket	16	9.75A	0.826	0.87			
502-SF7282-6PG-3ES	SF7282-6PG-3ES	B	6	Pin	20	5.6A	0.826	0.87			
502-SF7282-6SG-3ES	SF7282-6SG-3ES	B	6	Socket	20	5.6A	0.826	0.87			
502-SF7382-6PG-3ES	SF7382-6PG-3ES	B	6	Pin	16	9.75A	0.826	0.87			
502-SF7382-6SG-3ES	SF7382-6SG-3ES	B	6	Socket	16	9.75A	0.826	0.87			
502-SF7282-7PG-3ES	SF7282-7PG-3ES	B	7	Pin	20	4.8A	0.826	0.87			
502-SF7282-7SG-3ES	SF7282-7SG-3ES	B	7	Socket	20	4.8A	0.826	0.87			
502-SF7282-8PG-3ES	SF7282-8PG-3ES	B	8	Pin	20	4.8A	0.826	0.87			
502-SF7282-8SG-3ES	SF7282-8SG-3ES	B	8	Socket	20	4.8A	0.826	0.87			

* Amperage is limited by wire specifications