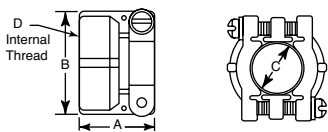
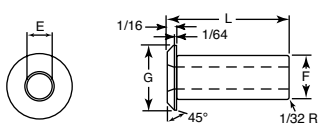


AMPHENOL 97 Series Circular Connector Accessories Amphenol®

ACCESSORIES FOR AMPHENOL 97 SERIES CONNECTORS

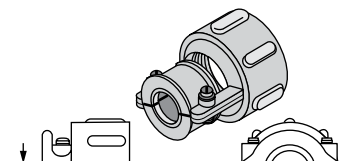
Cable Clamp MS 3057A Type and Bushing

For quantities of 250 and up, call for quote.

<p>Cable Clamp MS3057A Type</p> <p>For jacketed cable or wires protected by tubing. Both clamping halves float for maximum strain relief. For unjacketed cable or wires, use corresponding MS3420 bushing. Clamp and bushing can be ordered together.</p> 	<p>Bushing MS3420</p> <p>Rubber bushing specifically designed for MS3057A type cable clamp. Can also be used as a reducing bushing. Order separately or with cable clamp.</p> 
--	--

MOUSER STOCK NO.	Amphenol Part No.	Shell Size	Description	Max. O.D. Cable	A (In.)	B (In.)	C (Dia.)	D Internal Thread	E (In.)	F (In.)	G (In.)	L (In.)	Price Each			
													1	10	25	50
654-97-3057-1004	97-3057-1004	10SL, 12S	Cable Clamp	5/16	.795	.842	5/16	5/8-24	---	---	---	---				
654-97-3057-1004-1	97-3057-1004-1	10SL, 12S	Cable Clamp w/ bushing	5/16	---	---	---	---	---	---	---	---				
654-97-79-513-3	97-79-513-3	10SL, 12S	Bushing	---	---	---	---	---	.130	.210	.374	2.875				
654-97-79-513-4	97-79-513-4	10SL, 12S	Bushing	---	---	---	---	---	.220	.302	.500	2.750				
654-97-3057-1007	97-3057-1007	12SL, 14S	Cable Clamp	7/16	.850	.995	7/16	3/4-20	---	---	---	---				
654-97-3057-1007-1	97-3057-1007-1	12SL, 14S	Cable Clamp w/ bushing	7/16	---	---	---	---	---	---	---	---				
654-97-79-513-6	97-79-513-6	12SL, 14S	Bushing	---	---	---	---	---	.312	.427	.614	2.625				
654-97-3057-1008	97-3057-1008	16, 16S	Cable Clamp	9/16	.920	1.120	9/16	7/8-20	---	---	---	---				
654-97-3057-1008-1	97-3057-1008-1	16, 16S	Cable Clamp w/ bushing	9/16	---	---	---	---	---	---	---	---				
654-97-79-513-8	97-79-513-8	16, 16S	Bushing	---	---	---	---	---	.437	.552	.739	2.500				
654-97-3057-1010	97-3057-1010	18	Cable Clamp	5/8	.920	1.216	5/8	1-20	---	---	---	---				
654-97-3057-1010-1	97-3057-1010-1	18	Cable Clamp w/ bushing	5/8	---	---	---	---	---	---	---	---				
654-97-79-513-10	97-79-513-10	18	Bushing	---	---	---	---	---	.562	.615	.889	2.375				
654-97-3057-1012	97-3057-1012	20, 22	Cable Clamp	3/4	.927	1.403	3/4	1-3/16-18	---	---	---	---				
654-97-3057-1012-1	97-3057-1012-1	20, 22	Cable Clamp w/ bushing	3/4	---	---	---	---	---	---	---	---				
654-97-79-513-12	97-79-513-12	20, 22	Bushing	---	---	---	---	---	.625	.740	1.084	2.250				
654-97-3057-1016	97-3057-1016	24, 28	Cable Clamp	15/16	1.015	1.683	15/16	1-7/16-18	---	---	---	---				
654-97-3057-1016-1	97-3057-1016-1	24, 28	Cable Clamp w/ bushing	15/16	---	---	---	---	---	---	---	---				
654-97-79-513-12	97-79-513-12	24, 28	Bushing	---	---	---	---	---	.625	.740	1.084	2.250				
654-97-79-513-16	97-79-513-16	24, 28	Bushing	---	---	---	---	---	.750	.927	1.309	2.125				
654-97-79-513-20	97-79-513-20	32	Bushing	---	---	---	---	---	.937	1.240	1.591	2.000				
654-97-3057-1020-1	97-3057-1020-1	32	Cable Clamp w/ bushing	1-1/4	---	---	---	---	---	---	---	---				
654-97-3057-1020	97-3057-1020	32	Cable Clamp	1-1/4	1.095	2.050	1-1/4	1-3/4-18	---	---	---	---				
654-97-3057-1024	97-3057-1024	36	Cable Clamp	1-3/8	1.156	2.245	1-3/8	2-18	---	---	---	---				

AN3057 Cable Clamp



Cable Clamp AN3057 For quantities of 250 and up, call for quote.

MOUSER STOCK NO.	Amphenol Part No.	Shell Size	AN Size	Max. O.D. Cable	A (In.)	B (In.)	F (In.)	Threads	Price Each			
									1	10	25	50
654-97-3057-4	97-3057-4	10SL, 12S	4	5/16	25/32	1	3/16	5/8-24				
654-97-3057-6	97-3057-6	14, 14S	6	7/16	15/16	1-5/64	3/16	3/4-20				
654-97-3057-8	97-3057-8	16, 16S	8	9/16	1-1/16	1-1/8	9/32	7/8-20				
654-97-3057-10	97-3057-10	18	10	5/8	1-3/16	1-1/8	5/16	1-20				
654-97-3057-12	97-3057-12	20, 22	12	3/4	1-3/8	1-3/16	5/16	1-3/16-18				
654-97-3057-16	97-3057-16	24, 28	16	15/16	1-5/8	1-5/16	3/8	1-7/16-18				
654-97-3057-20	97-3057-20	32	20	1-1/4	1-15/16	1-1/2	1/2	1-3/4-18				

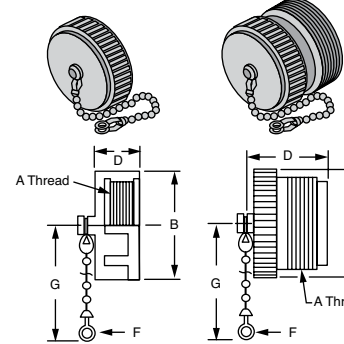
9760 Metal Protection Caps with Beaded Chain



9760 Metal Protection Caps with Beaded Chain For quantities of 250 and up, call for quote.

MOUSER STOCK NO.	Amphenol Part No.	Shell Size	A Threads	B (In.)	D (In.)	F (In.)	G (In.)	Price Each			
								1	10	25	50

(Receptacle Cap) (Plug Cap)



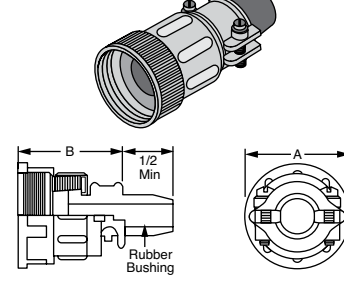
For Receptacle Shells

654-97-60-10	97-60-10	10S, 10SL	5/8-24	13/16	7/16	0.125	2-9/16				
654-97-60-12	97-60-12	12, 12S, 12SL	3/4-20	15/16	7/16	0.125	2-9/16				
654-97-60-14	97-60-14	14, 14S	7/8-20	1-1/16	7/16	0.125	2-9/16				
654-97-60-16	97-60-16	16, 16S	1-20	1-1/8	7/16	0.167	4-5/8				
654-97-60-18	97-60-18	18	1-1/8-18	1-5/16	7/16	0.167	4-5/8				
654-97-60-20	97-60-20	20	1-1/4-18	1-7/16	7/16	0.167	4-5/8				
654-97-60-22	97-60-22	22	1-3/8-18	1-9/16	7/16	0.167	4-5/8				
654-97-60-24	97-60-24	24	1-1/2-18	1-11/16	7/16	0.167	4-5/8				
654-97-60-28	97-60-28	28	1-3/4-18	1-59/64	1/2	0.167	4-5/8				
654-97-60-32	97-60-32	32	2-18	2-3/16	1/2	0.190	5-3/4				

For Plug Shells

654-97-60-10P	97-60-10P	10S, 10SL	5/8-24	5/8	21/32	0.125	2-13/16				
654-97-60-12P	97-60-12P	12, 12S, 12SL	3/4-20	3/4	27/32	0.125	3-13/16				
654-97-60-14P	97-60-14P	14, 14S	7/8-20	7/8	27/32	0.125	3-13/16				
654-97-60-16P	97-60-16P	16, 16S	1-20	1	27/32	0.167	4-5/8				
654-97-60-18P	97-60-18P	18	1-1/8-18	1-1/8	27/32	0.167	4-5/8				
654-97-60-20P	97-60-20P	20	1-1/4-18	1-1/4	27/32	0.167	4-5/8				
654-97-60-22P	97-60-22P	22	1-3/8-18	1-3/8	27/32	0.167	4-5/8				
654-97-60-24P	97-60-24P	24	1-1/2-18	1-1/2	27/32	0.167	4-5/8				
654-97-60-28P	97-60-28P	28	1-3/4-18	1-3/4	27/32	0.167	4-5/8				
654-97-60-32P	97-60-32P	32	2-18	2	27/32	0.260	5-3/4				

Cable Clamp



9767 Water Resistant Cable Clamp For quantities of 250 and up, call for quote.

The 9767 assembly includes AN3057 clamp, a rubber bushing, a washer and a AN3055 adapter.

MOUSER STOCK NO.	Amphenol Part No.	Shell Size	Max. O.D. Cable	A (In.)	B (In.)	Threads	Price Each			
							1	10	25	50
654-97-67-12-4	97-67-12-4	10SL, 12S, 12	7/32	25/32	1-17/32	5/8-24				
654-97-67-14-4	97-67-14-4	12SL, 14S, 14	7/32	29/32	1-17/32	3/4-20				
654-97-67-14-6	97-67-14-6	12SL, 14S, 14	11/32	29/32	1-19/32	3/4-20				
654-97-67-16-6	97-67-16-6	16S, 16	11/32	1-1/16	1-19/32	7/8-20				
654-97-67-18-6	97-67-18-6	18	11/32	1-3/16	1-19/32	1-20				
654-97-67-16-8	97-67-16-8	16S, 16	7/16	1-1/16	1-19/32	7/8-20				
654-97-67-18-8	97-67-18-8	18	7/16	1-3/16	1-19/32	1-20				
654-97-67-22-8	97-67-22-8	20, 22	7/16	1-3/8	1-19/32	1-3/16-18				
654-97-67-18-10	97-67-18-10	18	9/16	1-3/16	1-19/32	1-20				
654-97-67-22-10	97-67-22-10	20, 22	9/16	1-3/8	1-19/32	1-3/16-18				
654-97-67-28-10	97-67-28-10	24, 28	9/16	1-5/8	1-17/32	1-7/16-18				
654-97-67-22-12	97-67-22-12	20, 22	11/16	1-3/8	1-21/32	1-3/16-18				
654-97-67-28-12	97-67-28-12	24, 28	11/16	1-5/8	1-21/32	1-7/16-18				
654-97-67-28-16	97-67-28-16	24, 28	27/32	1-5/8	1-25/32	1-7/16-18				