

AMP Circular Medical Connectors



This page of product is compliant.

Authorized Distributor

CIRCULAR MEDICAL CONNECTORS

Features:

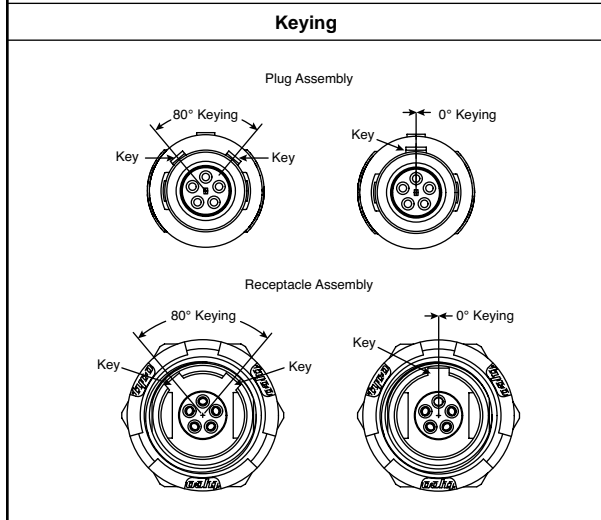
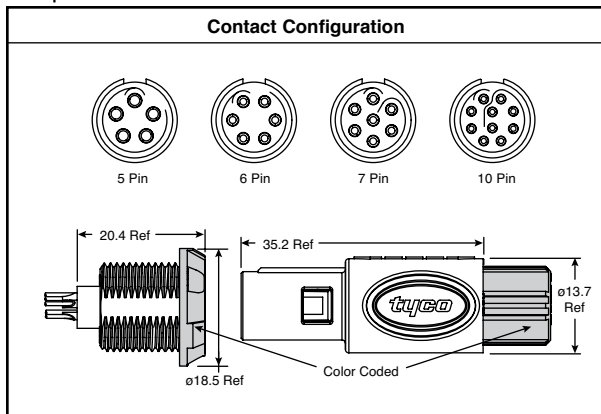
- Suitable for surgical power instrument, RF and ultrasound ablation and EP monitors used in the O.R.
- Grip area with push-pull action
- Robust self-latching mechanism
- Gold-plated contacts
- Sterilizable: Autoclave, STERRAD, CIDEX+, ETO
- Connectors are user friendly, robust and provide secure self-latching
- Available with an integral cable collet or an overmolded flex relief
- Available contact types 5, 6, 7, 10 positions
- Lightweight housing is resistant to shock, drop and chemically induced cracking.
- Accommodates cables OD from 2.7 to 6.5 mm
- Available in either black or gray housing and optional color coding for mating polarization
- Self-latching mechanism is secure under axial and torsional loads

Specifications:

- Operating Voltage: 300 V AC
- Current rating: 5 pos 7 A
6 pos 6 A
7 pos 5 A
10 pos 3 A
- Temperature Rating: -50° to 170° C
- Mating Force: 2.5 lbs max.
- Housing: Polyphenylsulfone
- Contacts: Copper Alloy, Gold Finish

Standards and Specs:

- EIA-364: Electrical Connector/Socket Test procedure including Environmental Classifications



Panel Mount Receptacles

For quantities of 100 and up, call for quote.

MOUSER STOCK NO.	AMP Part No.	Fig.	Configuration	Keying	Color	Price Each			
						1	5	10	25
571-1877066-1	1877066-1	A	5 pin	0°	Gray				

Cable Plugs - Collet Style

Specifications:

- Collet Diameter - 5.3 - 6.5

For quantities of 100 and up, call for quote.

MOUSER STOCK NO.	AMP Part No.	Fig.	Configuration	Keying	Color	Price Each			
						1	5	10	25
571-1877845-7	1877845-7	B	5 pin	0°	Gray				
571-1877845-4	1877845-4	B	5 pin	80°	Black				
571-1877846-7	1877846-7	B	6 pin	0°	Gray				
571-1877846-4	1877846-4	B	6 pin	80°	Black				
571-1877847-7	1877847-7	B	7 pin	0°	Gray				
571-1877847-4	1877847-4	B	7 pin	80°	Black				
571-1877848-7	1877848-7	B	10 pin	0°	Gray				
571-1877848-4	1877848-4	B	10 pin	80°	Black				

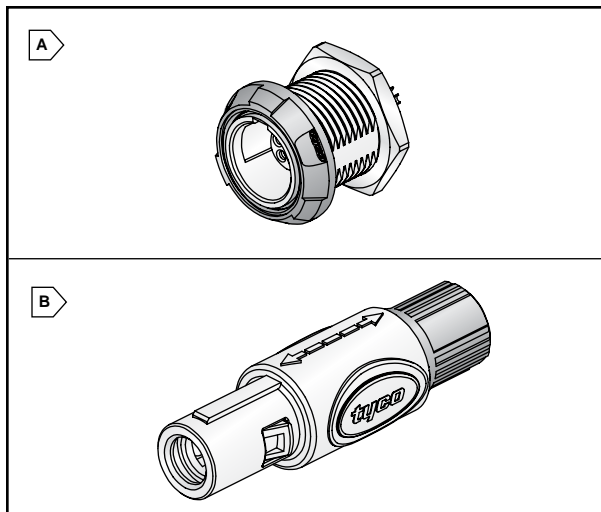
Cable Plugs - Overmold Style

Specifications:

- Cable Diameter - 6.4 Max.

For quantities of 100 and up, call for quote.

MOUSER STOCK NO.	AMP Part No.	Fig.	Configuration	Keying	Color	Price Each			
						1	5	10	25
571-1877849-3	1877849-3	B	5 pin	0°	Gray				
571-1877849-2	1877849-2	B	5 pin	80°	Black				
571-1877850-3	1877850-3	B	6 pin	0°	Gray				
571-1877850-2	1877850-2	B	6 pin	80°	Black				
571-1877851-3	1877851-3	B	7 pin	0°	Gray				
571-1877851-2	1877851-2	B	7 pin	80°	Black				



HARDWARE

Panel-Mount Receptacle Hex Nut

For quantities of 100 and up, call for quote.

MOUSER STOCK NO.	AMP Part No.	Description	Price Each			
			1	5	10	25
571-1811448-1	1811448-1	Front Nut, Red				
571-1811448-2	1811448-2	Front Nut, White				
571-1811448-3	1811448-3	Front Nut, Yellow				
571-1811448-4	1811448-4	Front Nut, Green				
571-1811448-5	1811448-5	Front Nut, Blue				

Cable Plug Back Nut

For quantities of 100 and up, call for quote.

MOUSER STOCK NO.	AMP Part No.	Description	Price Each			
			1	5	10	25
571-1877841-1	1877841-1	Back Nut, Red				
571-1877841-2	1877841-2	Back Nut, White				
571-1877841-3	1877841-3	Back Nut, Yellow				
571-1877841-4	1877841-4	Back Nut, Green				
571-1877841-5	1877841-5	Back Nut, Blue				