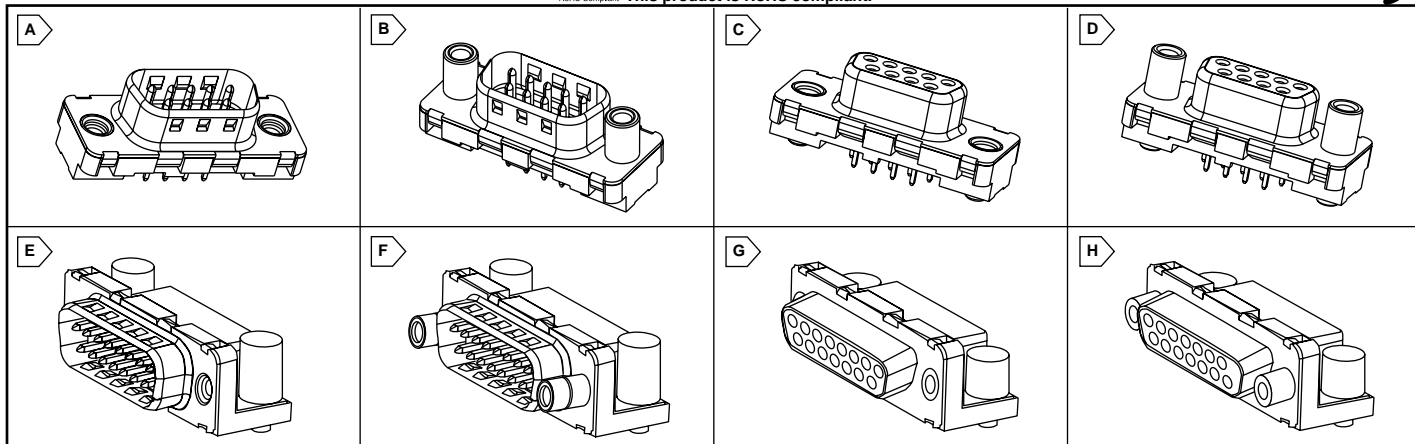


FCI D-Subminiature Pin-in-Paste

RoHS Compliant This product is RoHS compliant.



Pin in Paste technology (PIP) allows the use of Through Hole product in SMT manufacturing processes. The connectors are automatically or manually place on the board, and then soldered in the same operation as the SMT components. The mechanical strengths of the Through Hole Technology soldering is maintained. Benefits of the Pin in Paste technology include: time saving, high quality, fast easy move from a wave soldering to a reflow process and a higher robustness.

Specifications:

- Shell Material: Steel, nickel plated
- Housing: Thermoplastic HT UL94V0
- Contacts: Copper Alloy
- Operating temperature: -55° to 125°C
- Mating/Unmating cycles: 500 min
- Current rating: 5A
- Insulation resistance: ≥5000 MΩ
- Contact resistance: <10mΩ
- Dielectric withstanding voltage: 1000Vrms



RoHS Compliant

STRAIGHT

For quantities of 50 and up, call for quote.

MOUSER STOCK NO.	FCI Part No.	Fig.	No. of Pos.	Gender	Mounting Options	Price Each			
						1	5	10	25
649-D09P24A6RL09LF	D09P24A6RL09LF	A	9	Pin	Insert M3 + Metal Peg +Electrical continuity				
649-D15P24A6RL09LF	D15P24A6RL09LF	A	15	Pin	Insert M3 + Metal Peg +Electrical continuity				
649-D25P24A6RL09LF	D25P24A6RL09LF	A	25	Pin	Insert M3 + Metal Peg +Electrical continuity				
649-D37P24A6RL09LF	D37P24A6RL09LF	A	37	Pin	Insert M3 + Metal Peg +Electrical continuity				
649-D50P24A6RL09LF	D50P24A6RL09LF	A	50	Pin	Insert M3 + Metal Peg +Electrical continuity				
649-D09P24A6RX09LF	D09P24A6RX09LF	A	9	Pin	Female screw UNC 4-40 + Metal peg + Electrical continuity				
649-D15P24A6RX09LF	D15P24A6RX09LF	A	15	Pin	Female screw UNC 4-40 + Metal peg + Electrical continuity				
649-D25P24A6RX09LF	D25P24A6RX09LF	A	25	Pin	Female screw UNC 4-40 + Metal peg + Electrical continuity				
649-D37P24A6RX09LF	D37P24A6RX09LF	A	37	Pin	Female screw UNC 4-40 + Metal peg + Electrical continuity				
649-D50P24A6RX09LF	D50P24A6RX09LF	A	50	Pin	Female screw UNC 4-40 + Metal peg + Electrical continuity				
649-D09P24A6RV09LF	D09P24A6RV09LF	B	9	Pin	Insert UNC 4-40 + Metal peg + Electrical continuity				
649-D15P24A6RV09LF	D15P24A6RV09LF	B	15	Pin	Insert UNC 4-40 + Metal peg + Electrical continuity				
649-D25P24A6RV09LF	D25P24A6RV09LF	B	25	Pin	Insert UNC 4-40 + Metal peg + Electrical continuity				
649-D37P24A6RV09LF	D37P24A6RV09LF	B	37	Pin	Insert UNC 4-40 + Metal peg + Electrical continuity				
649-D50P24A6RV09LF	D50P24A6RV09LF	B	50	Pin	Insert UNC 4-40 + Metal peg + Electrical continuity				
649-D09S24A6RL09LF	D09S24A6RL09LF	C	9	Socket	Insert M3 + Metal Peg +Electrical continuity				
649-D15S24A6RL09LF	D15S24A6RL09LF	C	15	Socket	Insert M3 + Metal Peg +Electrical continuity				
649-D25S24A6RL09LF	D25S24A6RL09LF	C	25	Socket	Insert M3 + Metal Peg +Electrical continuity				
649-D37S24A6RL09LF	D37S24A6RL09LF	C	37	Socket	Insert M3 + Metal Peg +Electrical continuity				
649-D50S24A6RL09LF	D50S24A6RL09LF	C	50	Socket	Insert M3 + Metal Peg +Electrical continuity				
649-D09S24A6RX09LF	D09S24A6RX09LF	C	9	Socket	Female screw UNC 4-40 + Metal peg + Electrical continuity				
649-D15S24A6RX09LF	D15S24A6RX09LF	C	15	Socket	Female screw UNC 4-40 + Metal peg + Electrical continuity				
649-D25S24A6RX09LF	D25S24A6RX09LF	C	25	Socket	Female screw UNC 4-40 + Metal peg + Electrical continuity				
649-D37S24A6RX09LF	D37S24A6RX09LF	C	37	Socket	Female screw UNC 4-40 + Metal peg + Electrical continuity				
649-D50S24A6RX09LF	D50S24A6RX09LF	C	50	Socket	Female screw UNC 4-40 + Metal peg + Electrical continuity				
649-D09S24A6RV09LF	D09S24A6RV09LF	D	9	Socket	Insert UNC 4-40 + Metal peg + Electrical continuity				
649-D15S24A6RV09LF	D15S24A6RV09LF	D	15	Socket	Insert UNC 4-40 + Metal peg + Electrical continuity				
649-D25S24A6RV09LF	D25S24A6RV09LF	D	25	Socket	Insert UNC 4-40 + Metal peg + Electrical continuity				
649-D37S24A6RV09LF	D37S24A6RV09LF	D	37	Socket	Insert UNC 4-40 + Metal peg + Electrical continuity				
649-D50S24A6RV09LF	D50S24A6RV09LF	D	50	Socket	Insert UNC 4-40 + Metal peg + Electrical continuity				

RIGHT ANGLE

For quantities of 50 and up, call for quote.

MOUSER STOCK NO.	FCI Part No.	Fig.	No. of Pos.	Gender	Mounting Options	Price Each			
						1	5	10	25
649-D09P33E6RL09LF	D09P33E6RL09LF	E	9	Pin	Insert M3 + Metal Peg +Electrical continuity				
649-D15P33E6RL09LF	D15P33E6RL09LF	E	15	Pin	Insert M3 + Metal Peg +Electrical continuity				
649-D25P33E6RL09LF	D25P33E6RL09LF	E	25	Pin	Insert M3 + Metal Peg +Electrical continuity				
649-D09P33E6RX09LF	D09P33E6RX09LF	E	9	Pin	Female screw UNC 4-40 + Metal peg + Electrical continuity				
649-D15P33E6RX09LF	D15P33E6RX09LF	E	15	Pin	Female screw UNC 4-40 + Metal peg + Electrical continuity				
649-D25P33E6RX09LF	D25P33E6RX09LF	E	25	Pin	Female screw UNC 4-40 + Metal peg + Electrical continuity				
649-D09P33E6RV09LF	D09P33E6RV09LF	F	9	Pin	Insert UNC 4-40 + Metal peg + Electrical continuity				
649-D15P33E6RV09LF	D15P33E6RV09LF	F	15	Pin	Insert UNC 4-40 + Metal peg + Electrical continuity				
649-D25P33E6RV09LF	D25P33E6RV09LF	F	25	Pin	Insert UNC 4-40 + Metal peg + Electrical continuity				
649-D09S33E6RL09LF	D09S33E6RL09LF	G	9	Socket	Insert M3 + Metal Peg +Electrical continuity				
649-D15S33E6RL09LF	D15S33E6RL09LF	G	15	Socket	Insert M3 + Metal Peg +Electrical continuity				
649-D25S33E6RL09LF	D25S33E6RL09LF	G	25	Socket	Insert M3 + Metal Peg +Electrical continuity				
649-D09S33E6RX09LF	D09S33E6RX09LF	G	9	Socket	Female screw UNC 4-40 + Metal peg + Electrical continuity				
649-D15S33E6RX09LF	D15S33E6RX09LF	G	15	Socket	Female screw UNC 4-40 + Metal peg + Electrical continuity				
649-D25S33E6RX09LF	D25S33E6RX09LF	G	25	Socket	Female screw UNC 4-40 + Metal peg + Electrical continuity				
649-D09S33E6RV09LF	D09S33E6RV09LF	H	9	Socket	Insert UNC 4-40 + Metal peg + Electrical continuity				
649-D15S33E6RV09LF	D15S33E6RV09LF	H	15	Socket	Insert UNC 4-40 + Metal peg + Electrical continuity				
649-D25S33E6RV09LF	D25S33E6RV09LF	H	25	Socket	Insert UNC 4-40 + Metal peg + Electrical continuity				