


AMPLIMITE D-Subminiature Connectors

 This product is RoHS compliant.

Authorized Distributor

HD-20 SERIES, PCB CONNECTORS

- Shell: Steel, tin plated
- Contacts: Pins - brass, sockets - phosphor bronze
- Contact Plating: (a) Gold on mating end, tin on termination end, nickel underplated
(b) Same as (a) with gold flash on mating end

Straight Posted Connectors, Front Metal-Shell

- Housing: UL 94V-0 black thermoplastic
- Threaded Inserts: Brass, unplated
- Female Screwlocks: Zinc
- RoHS Compliant per Tyco Electronics Documentation



RoHS Compliant

Plugs For quantities of 500 and up, call for quote.

MOUSER STOCK NO.	AMP Part No.	Fig.	Shell Size	No of Pos.	Post Length (In.)	Plating Code	Price Each		
							1	10	100
With Standard Mounting Holes									
571-5747871-2	5747871-2	A	1	9	0.125	a			
571-5747872-4	5747872-4	A	2	15	0.170	a			
571-5747375-2	5747375-2	A	4	37	0.125	a			
With Threaded Inserts									
571-5747871-8	5747871-8	B	1	9	0.125	a			
571-5747872-8	5747872-8	B	2	15	0.125	a			
571-5745968-8	5745968-8	B	3	25	0.125	a			
571-5747375-8	5747375-8	B	4	37	0.125	a			
With Female Screwlocks									
571-1-5747871-4	1-5747871-4	C	1	9	0.125	a			
571-1-5745968-4	1-5745968-4	C	3	25	0.125	a			



RoHS Compliant

Receptacles

For quantities of 500 and up, call for quote.

MOUSER STOCK NO.	AMP Part No.	Fig.	Shell Size	No of Pos.	Post Length (In.)	Plating Code	Price Each		
							1	10	100
With Standard Mounting Holes									
571-5747150-2	5747150-2	D	1	9	0.125	a			
571-5747299-2	5747299-2	D	2	15	0.125	a			
571-5745967-2	5745967-2	D	3	25	0.125	a			
With Threaded Inserts									
571-5747150-8	5747150-8	E	1	9	0.125	a			
571-5747150-7	5747150-7	E	1	9	0.125	b			
571-5747299-8	5747299-8	E	2	15	0.125	a			
571-5745967-8	5745967-8	E	3	25	0.125	a			
571-5745967-7	5745967-7	E	3	25	0.125	b			
571-5747301-8	5747301-8	E	4	37	0.125	a			
With Retention Inserts									
571-2-5747706-0	2-5747706-0	F	1	9	0.125	a			
571-2-5747708-0	2-5747708-0	F	3	25	0.125	a			
With Female Screwlocks									
571-1-5747150-4	1-5747150-4	G	1	9	0.125	a			
571-1-5747150-6	1-5747150-6	G	1	9	0.170	a			
571-1-5747299-4	1-5747299-4	G	2	15	0.125	a			
571-1-5745967-4	1-5745967-4	G	3	25	0.125	a			



RoHS Compliant

Straight Posted Connectors, Full Metal-Shell

- Housing: UL 94V-0 black thermoplastic

Plugs with Mounting Holes

For quantities of 500 and up, call for quote.

MOUSER STOCK NO.	AMP Part No.	Fig.	Shell Size	No of Pos.	Post Length (In.)	Plating Code	Price Each		
							1	10	100
571-5745410-1	5745410-1	H	1	9	0.125	a			
571-5745411-1	5745411-1	H	2	15	0.125	a			



RoHS Compliant

Receptacles with Mounting Holes

For quantities of 500 and up, call for quote.

MOUSER STOCK NO.	AMP Part No.	Fig.	Shell Size	No of Pos.	Post Length (In.)	Plating Code	Price Each		
							1	10	100
571-5745183-2	5745183-2	I	1	9	0.125	b			
571-5745187-1	5745187-1	I	3	25	0.125	a			

Straight Posted Connectors, with ACTION PIN Contacts, Front Metal-Shell

- Housing: UL 94V-0 black thermoplastic
- ACTION PIN Contacts: Copper Alloy

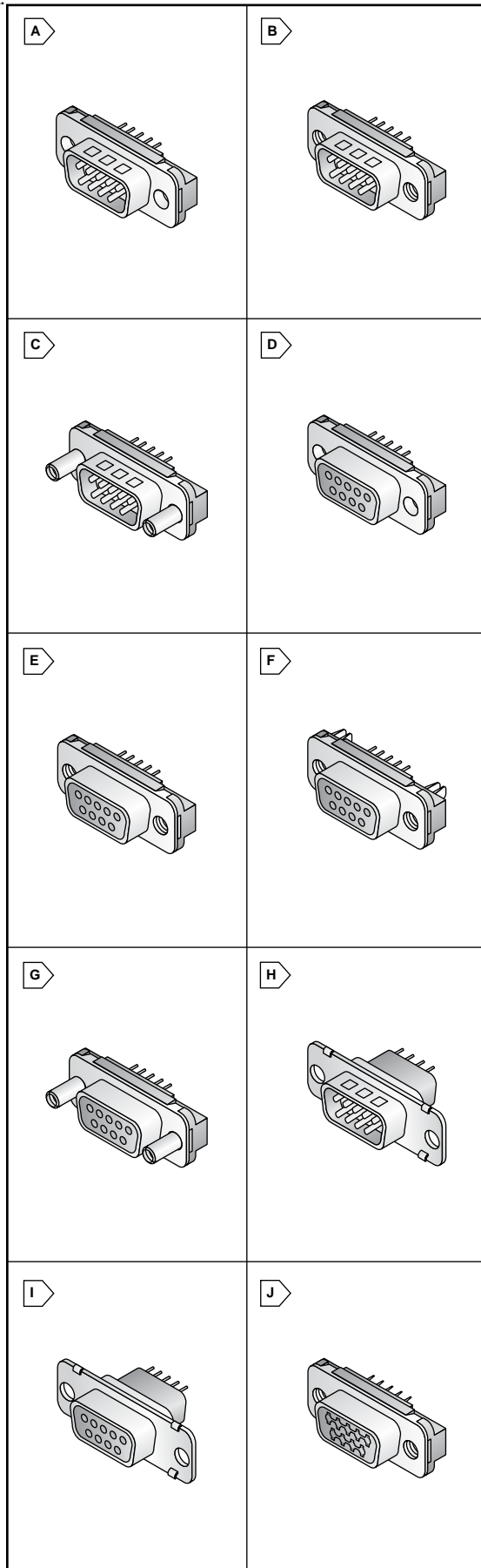
Receptacles with Threaded Inserts

For quantities of 500 and up, call for quote.

MOUSER STOCK NO.	AMP Part No.	Fig.	Shell Size	No of Pos.	Post Length (In.)	Plating Code	Price Each		
							1	10	100
571-5747090-2	5747090-2	J	1	9	0.228	a			



RoHS Compliant



"D" Connectors AMP