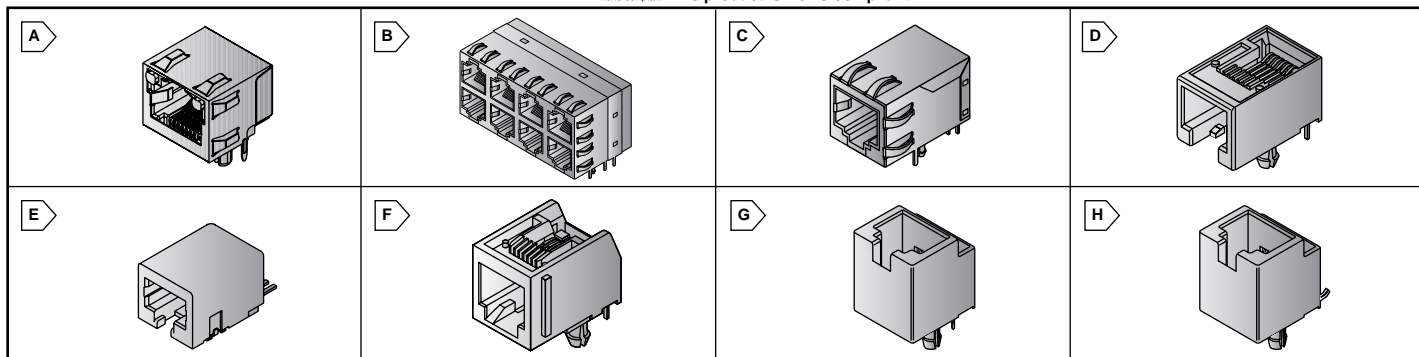


MOLEX Modular Jacks

molex
one company a world of innovation

RoHS Compliant This product is RoHS compliant.



RIGHT-ANGLE MODULAR JACKS

Features and Specifications:

43860-xxxx

- RJ-45 version meets Category 5 for Fast Ethernet
- Plug latch on top
- Enhanced grounding tabs on shield
- Electrical Voltage: 125V
- Current: 1.5A max.
- Housing: Black glass-filled, high-temperature nylon, UL 94V-0
- Operating Temperature: -40°C to +80°C

43202-xxxx

- Ultra low profile
- Enhanced panel grounding tabs on shielding RJ-45 configuration
- Enclosed top
- Electrical Voltage: 125V
- Current: 1.5A max.
- Housing: Black glass-filled nylon, UL 94V-0
- Operating Temperature: -40°C to +80°C

44144-xxxx

- Side-by-side stackable
- Enclosed top
- 100% electrically tested
- .006" max. "nail-to-tail" coplanarity
- Electrical Voltage: 125V
- Current: 1.5A max.
- Housing: Black glass-filled, high-temperature nylon, UL 94V-0
- Operating Temperature: -40°C to +80°C

44170-xxxx

- Exceeds Category 5 performance
- Distinctive lightpipe arrow indicators
- Lower electrical noise than LED offerings
- 30% fewer leads than LED offerings
- Voltage: 125V
- Current: 1.5A max.
- Housing: Black glass-filled Polyester, UL 94V-0
- Operating Temperature: -40°C to +80°C

95501-xxxx

- Very-low profile - about 3/4 that of industry standard
- Foot pattern identical to industry standard
- High reliability, square contact
- Voltage: 125V
- Current: 1.5A max.
- Housing: Black polyester, UL 94V-0
- Operating Temperature: -40°C to +80°C

95009-xxxx

- 50µ" Gold in contact area
- Voltage: 125V
- Current: 1.5A max.
- Housing: Black glass-filled polyester, UL 94V-0
- Operating Temperature: -40°C to +80°C



RoHS Compliant per Mouser documentation

For quantities of 500 and up, call for quote.

| MOUSER STOCK NO. | Molex Part No. | Fig. | Positions-Contacts | Description | Overall Length: mm (in.) | First-to-Last Circuit: mm (in.) | Price Each | | | |
|--|----------------|------|--------------------|---|--------------------------|---------------------------------|------------|----|----|-----|
| | | | | | | | 1 | 25 | 50 | 100 |
| Low Profile, Inverted with Lightpipes | | | | | | | | | | |
| 538-43860-0007 | 43860-0007 | A | 8/8 | Unshielded | 15.75 (.620) | 7.11 (.280) | | | | |
| 538-43860-0010 | 43860-0010 | A | 8/8 | Shielded | 16.38 (.645) | 7.11 (.280) | | | | |
| High Speed, Stacked, Multi-Port with Lightpipes | | | | | | | | | | |
| 538-44170-0001 | 44170-0001 | B | 8/8 | Shielded | 59.18 (2.33) | 8.89 (.350) | | | | |
| Low Profile, Inverted | | | | | | | | | | |
| 538-43860-0002 | 43860-0002 | A | 6/6 | Unshielded | 15.75 (.620) | 5.08 (.200) | | | | |
| 538-43860-0001 | 43860-0001 | A | 8/8 | Unshielded | 15.75 (.620) | 7.11 (.280) | | | | |
| 538-43860-0014 | 43860-0014 | A | 6/6 | Shielded with All Panel Grounding Tabs | 16.38 (.645) | 5.08 (.200) | | | | |
| 538-43860-0013 | 43860-0013 | A | 8/8 | Shielded with All Panel Grounding Tabs | 16.38 (.645) | 7.11 (.280) | | | | |
| 538-43860-0005 | 43860-0005 | A | 6/6 | Shielded with Offset Panel Grounding Tabs | 16.38 (.645) | 5.08 (.200) | | | | |
| 538-43860-0004 | 43860-0004 | A | 8/8 | Shielded with Offset Panel Grounding Tabs | 16.38 (.645) | 7.11 (.280) | | | | |
| Low Profile | | | | | | | | | | |
| 538-43202-4101 | 43202-4101 | C | 4/4 | Unshielded | 11.18 (.440) | 3.81 (.150) | | | | |
| 538-43202-6101 | 43202-6101 | C | 6/6 | Unshielded | 13.21 (.520) | 6.35 (.250) | | | | |
| 538-43202-8104 | 43202-8104 | C | 8/8 | Unshielded | 15.24 (.600) | 8.89 (.350) | | | | |
| 538-43202-8817 | 43202-8817 | C | 8/8 | Shielded with Top Panel Grounding Tabs | 15.85 (.624) | 8.89 (.350) | | | | |
| 538-95501-2441 | 95501-2441 | D | 4/4 | Unshielded | 11.18 (.440) | 3.81 (.150) | | | | |
| 538-95501-2641 | 95501-2641 | D | 6/6 | Unshielded | 13.21 (.520) | 3.81 (.150) | | | | |
| 538-95501-2661 | 95501-2661 | D | 6/6 | Unshielded | 13.21 (.520) | 6.35 (.250) | | | | |
| 538-95501-2881 | 95501-2881 | D | 8/8 | Unshielded | 15.24 (.600) | 8.89 (.350) | | | | |
| Low Profile, SMT | | | | | | | | | | |
| 538-95501-6669 | 95501-6669 | D | 6/6 | Unshielded | 13.21 (.520) | 6.35 (.250) | | | | |
| 538-95501-6889 | 95501-6889 | D | 8/8 | Unshielded | 15.24 (.600) | 8.89 (.350) | | | | |
| Low Profile, SMT with Flush Fitting Nails | | | | | | | | | | |
| 538-44144-0005 | 44144-0005 | E | 6/6 | Unshielded | 13.21 (.520) | 6.35 (.250) | | | | |
| 538-44144-0003 | 44144-0003 | E | 8/8 | Unshielded | 15.24 (.600) | 8.89 (.350) | | | | |
| Standard Profile | | | | | | | | | | |
| 538-95009-2661 | 95009-2661 | F | 6/6 | Unshielded, Flush Mount | 13.21 (.520) | 6.35 (.250) | | | | |
| 538-95009-2881 | 95009-2881 | F | 8/8 | Unshielded, Flush Mount | 15.24 (.600) | 8.89 (.350) | | | | |
| 538-95009-2447 | 95009-2447 | F | 4/4 | Unshielded, Flangeless | 11.18 (.440) | 3.81 (.150) | | | | |
| 538-95009-2647 | 95009-2647 | F | 6/4 | Unshielded, Flangeless | 13.21 (.520) | 3.81 (.150) | | | | |
| 538-95009-2667 | 95009-2667 | F | 6/6 | Unshielded, Flangeless | 13.21 (.520) | 6.35 (.250) | | | | |
| 538-95009-2887 | 95009-2887 | F | 8/8 | Unshielded, Flangeless | 15.24 (.600) | 8.89 (.350) | | | | |

VERTICAL MODULAR JACKS

Features:

- Industry compatible
- High reliability, square contact
- Foot patterns identical to industry standard jacks
- Low profile 12.70mm (0.5")

Specifications:

- Voltage: 125V
- Current: 1.5A
- Housing (95003-2xxx): Black Polyester, UL 94V-0
- Housing (95003-6xxx): Black Polyamide, UL 94V-0
- Contact: Phosphor Bronze
- Operating Temperature: -40°C to +80°C

For quantities of 500 and up, call for quote.

| Standard Profile with Small Panel Cutout | | | | | | | | | | |
|--|------------|---|-----|------------|--------------|-------------|--|--|--|--|
| 538-95503-2441 | 95503-2441 | G | 4/4 | Unshielded | 11.18 (.440) | 3.81 (.150) | | | | |
| 538-95503-2661 | 95503-2661 | G | 6/6 | Unshielded | 13.21 (.520) | 6.35 (.250) | | | | |
| 538-95503-2881 | 95503-2881 | G | 8/8 | Unshielded | 15.24 (.600) | 8.89 (.350) | | | | |
| Standard Profile, SMT with Small Panel Cutout | | | | | | | | | | |
| 538-95503-6671 | 95503-6671 | H | 6/6 | Unshielded | 13.21 (.520) | 6.35 (.250) | | | | |
| 538-95503-6891 | 95503-6891 | H | 8/8 | Unshielded | 15.24 (.600) | 8.89 (.350) | | | | |