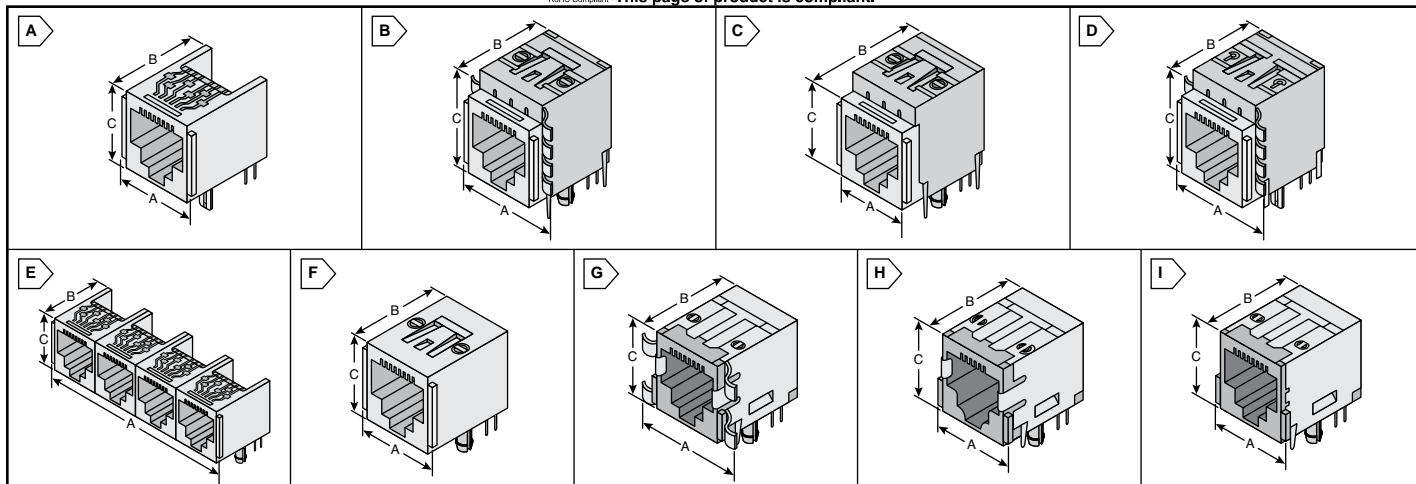


CORCOM Modular Jacks

RoHS Compliant This page of product is compliant.

Authorized Distributor



INDUCTIVE FILTERING MODULAR RJ JACKS

Features:

- Contacts Material is Phosphor Bronze with 50 microinches gold plating and 100 microinches nickel barrier underplating
- Ferrites: High resistivity, nickel zinc ceramic
- Block Filter: Multi-aperture rectangular prism
- Housing Material - Glass-filled polyester (UL94V-0)
- Shield Material - Tin-plated copper alloy
- Sleeve filter and other configurations available
- Contact a Mouser representative for more information

For quantities of 100 and up, call for quote.

MOUSER STOCK NO.	Corcom Part No.	Fig.	Pins	Filter Type	Shield Type	Dimensions: in. (mm)			Price Each			
						A	B	C	1	10	25	50
592-RJH-4L-B	RJH-4L-B	A	4	Block	-	.54 (13.72)	.81 (20.57)	.59 (14.99)				
592-RJ45-8L-B	RJ45-8L-B	A	8	Block	-	.70 (17.78)	.81 (20.57)	.54 (13.72)				
592-RJ11-4L1-B	RJ11-4L1-B	B	4	Block	1	.84 (21.34)	.86 (21.84)	.54 (13.72)				
592-RJ11-6L2-B	RJ11-6L2-B	C	6	Block	2	.62 (15.75)	.90 (22.86)	.54 (13.72)				
592-RJ45-8L1-B	RJ45-8L1-B	D	8	Block	1	.92 (23.37)	.86 (21.84)	.78 (19.81)				

GANGED VERSION - INDUCTIVE FILTERING MODULAR RJ JACKS

Features:

- Available in RJ11 models with block inductors in gangs of 2, 4, 6
- Retrofits existing unfiltered ganged jack footprints
- Housing Material - Glass-filled polyester (UL94V-0)

For quantities of 100 and up, call for quote.

MOUSER STOCK NO.	Corcom Part No.	Fig.	Ports	Dimensions: in. (mm)			Price Each			
				A	B	C	1	10	25	50
592-4RJ11-6L-B	4RJ11-6L-B	E	4	1.93 (49.02)	1.81 (45.97)	.59 (14.99)				

FILTERED MODULAR JACK WITH ENHANCED PERFORMANCE

Features:

- Capacitance components enhance the filtering performance in the LC models
- The additional chip capacitors provide additional filtering on each line
- The series features shields with a board ground or spring finger panel interface
- Housing Material - Glass-filled polyester (UL94V-0)
- Shield Material - Tin-plated copper alloy
- Available with block or sleeve inductance

For quantities of 100 and up, call for quote.

MOUSER STOCK NO.	Corcom Part No.	Fig.	Pins	Filter Type	Shield Type	Dimensions: in. (mm)			Price Each			
						A	B	C	1	10	25	50
592-RJ11-6LC1-B	RJ11-6LC1-B	B	6	Block	1	.84 (21.34)	.86 (21.84)	.54 (13.72)				
592-RJ11-6LC2-B	RJ11-6LC2-B	C	6	Block	2	.62 (15.75)	.80 (20.32)	.54 (13.72)				

LOW PROFILE FILTERED MODULAR RJ JACK

Features:

- Available with block or sleeve inductors and optional grounded shielding
- Sleeves is Single-aperture cylinders / Block is Multi-aperture rectangular prism
- The additional chip capacitors provide additional filtering on each line
- The series features shields with a board ground or spring finger panel interface
- Housing Material - Black glass-filled polyester (Valox 457)
- Shield Material - Tin-plated copper alloy

For quantities of 100 and up, call for quote.

592-RJ11-6N-B	RJ11-6N-B	F	6	Block	-	.62 (15.75)	.71 (18.03)	.52 (13.21)				
592-RJ11-6N3-B	RJ11-6N3-B	G	6	Block	3	.91 (23.11)	.74 (18.80)	.55 (13.97)				
592-RJ11-6N4-B	RJ11-6N4-B	H	6	Block	4	.62 (15.75)	.74 (18.80)	.55 (13.97)				
592-RJ45-8N-B	RJ45-8N-B	F	8	Block	-	.91 (23.11)	.74 (18.80)	.55 (13.97)				
592-RJ45-8N3-B	RJ45-8N3-B	G	8	Block	3	.99 (25.15)	.74 (18.80)	.63 (16.00)				
592-RJ45-8N3-S	RJ45-8N3-S	G	8	Sleeve	3	.99 (25.15)	.74 (18.80)	.63 (16.00)				
592-RJ45-8N4-B	RJ45-8N4-B	I	8	Block	4	.70 (17.78)	.74 (18.80)	.63 (16.00)				
592-RJ45-8N4-S	RJ45-8N4-S	I	8	Sleeve	4	.70 (17.78)	.74 (18.80)	.63 (16.00)				

STANDARD UNFILTERED MODULAR RJ JACK

For quantities of 100 and up, call for quote.

X Series												
592-RJ11-6X	RJ11-6X	F	6	Unfiltered	-	.62 (15.75)	.81 (20.57)	.52 (13.21)				
592-RJ45-8X	RJ45-8X	A	8	Unfiltered	-	.70 (17.78)	.81 (20.57)	.54 (13.72)				
Z Series - Low Profile												
592-RJ45-8Z	RJ45-8Z	F	8	Unfiltered	-	.91 (23.11)	.74 (18.80)	.55 (13.97)				
592-RJ45-8Z4	RJ45-8Z4	I	8	Unfiltered	4	.62 (15.75)	.74 (18.80)	.55 (13.97)				