

AMPHENOL Modular Jacks

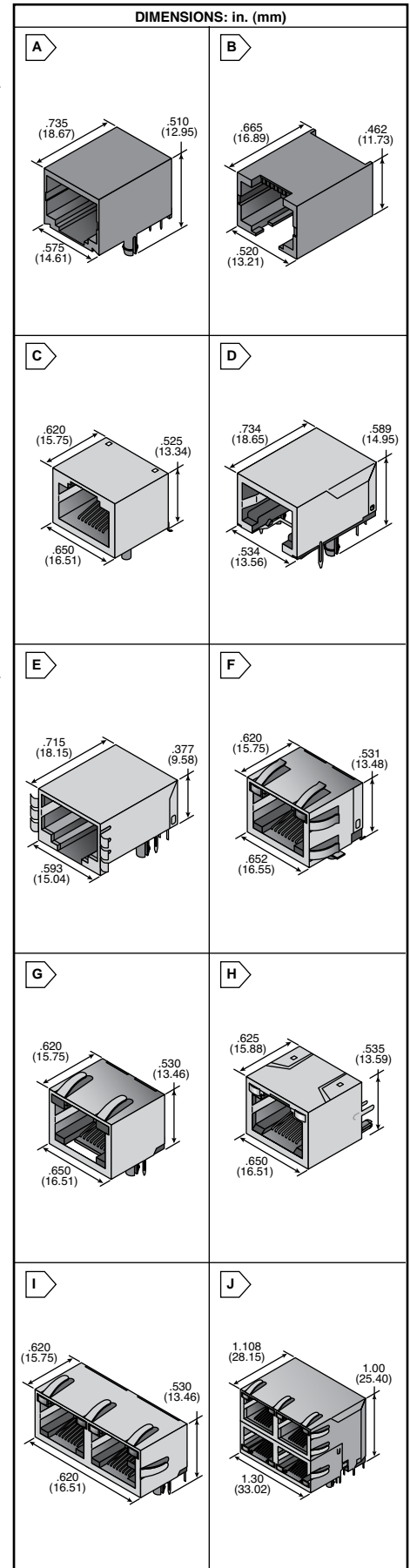
RoHS Compliant This product is RoHS compliant.

RJ45 AND RJ11 MODULAR JACKS



For quantities of 500 and up, call for quote.

MOUSER STOCK NO.	Amphenol Part No.	Fig.	Description	No. of Pos.	Price Each			
					1	10	50	100
523-FRJAE-448	FRJAE-448	A	RJ45 Filtered Only	4				
523-FRJAE-468	FRJAE-468	A	RJ45 Filtered with Rear Tab Shield	4				
523-FRJAE-438	FRJAE-438	A	RJ45 Shielded with Front Tab	4				
523-FRJAE-418	FRJAE-418	A	RJ45 Filtered with Front Tab Shield	4				
523-FRJAE-408	FRJAE-408	A	RJ45 Non-Filtered & Non-Shielded	4				
523-FRJAE-488	FRJAE-488	A	RJ45 Shielded Only with Rear Tab	4				
523-FRJAE-666	FRJAE-666	A	RJ11 Filtered with Rear Tab Shield	6				
Low Profile SMT Series								
523-RJLSE-62061-01T	RJLSE-62061-01T	B	RJ11 Non-Shielded	6				
523-RJLSE-62361-01T	RJLSE-62361-01T	B	RJ11 Shielded with PCB Tail	6				
523-RJLSE-42081-01T	RJLSE-42081-01T	B	RJ45 Non-Shielded	8				
523-RJLSE-42381-01T	RJLSE-42381-01T	B	RJ45 Shielded with PCB Tail	8				
SMT								
523-RJSSE5080	RJSSE5080	C	RJ45 Non-Shielded Single Port	8				
523-RJSSE5081	RJSSE5081	C	RJ45 Non-Shld Sngl Port w/Light Pipe	8				
523-RJSSE5380	RJSSE5380	C	RJ45 Shielded Single Port	8				
523-RJSSE5381	RJSSE5381	C	RJ45 Shlded Sngl Port w/Light Pipe	8				
High Temp Thermoplastic Ultra Low Profile								
523-RJE05-188-1310	RJE05-188-1310	D	RJ45 Shielded Single Port	8				
523-RJE05-188-0310	RJE05-188-0310	D	RJ45 Non-Shielded Single Port	8				
523-RJE05-166-1310	RJE05-166-1310	D	RJ11 Shielded Single Port	6				
523-RJE05-166-0310	RJE05-166-0310	D	RJ11 Non-Shielded Single Port	6				
Ultra Low Profile								
523-RJULE-42182-01	RJULE-42182-01	E	RJ45 9.58 mm Profile Shielded	8				



RJ45 AND RJ11 MODULAR JACKS WITH LED'S

For quantities of 500 and up, call for quote.

MOUSER STOCK NO.	Amphenol Part No.	Fig.	LED 2 Color	LED 1 Color	# of Ports	No. of Pos.	Price Each			
							1	10	50	100
RJ45 Shielded EMI Quiet Inverted SMT w/ LED Option										
523-RJCSE-5380-01	RJCSE-5380-01	F	---	---	1	8				
523-RJCSE-5381-01	RJCSE-5381-01	F	Yellow	Green	1	8				
523-RJCSE-5385-01	RJCSE-5385-01	F	Green	Green	1	8				
RJVISTA® Non-shielded CAT 5E EMI Quiet w/ LED Option										
523-RJHSE-5080	RJHSE-5080	G	---	---	1	8				
523-RJHSE-5081	RJHSE-5081	G	Yellow	Green	1	8				
523-RJHSE-5084	RJHSE-5084	G	Green	Yellow	1	8				
523-RJHSE-5085	RJHSE-5085	G	Green	Green	1	8				
RJVISTA® Shielded CAT 5E EMI Quiet w/ LED Option										
523-RJHSE-5380	RJHSE-5380	G	---	---	1	8				
523-RJHSE-5381	RJHSE-5381	G	Yellow	Green	1	8				
523-RJHSE-5382	RJHSE-5382	G	---	Green	1	8				
523-RJHSE-5384	RJHSE-5384	G	Green	Yellow	1	8				
523-RJHSE-5385	RJHSE-5385	G	Green	Green	1	8				
523-RJHSE-538A	RJHSE-538A	G	Grn/Yel	Grn/Yel	1	8				
523-RJHSE-538B	RJHSE-538B	G	Red/Grn	Red/Grn	1	8				
RJVISTA® Vertical Mount Shielded CAT 5E EMI Quiet w/ LED Option										
523-RJHSE-3380	RJHSE-3380	H	---	---	1	8				
523-RJHSE-3381	RJHSE-3381	H	Yellow	Green	1	8				
523-RJHSE-3384	RJHSE-3384	H	Green	Yellow	1	8				
523-RJHSE-3385	RJHSE-3385	H	Green	Green	1	8				
523-RJHSE-338A	RJHSE-338A	H	Grn/Yel	Grn/Yel	1	8				
RJVISTA® Vertical Mount Non-shielded CAT 5E EMI Quiet w/ LED Option										
523-RJHSE-3080	RJHSE-3080	H	---	---	1	8				
523-RJHSE-3081	RJHSE-3081	H	Yellow	Green	1	8				
523-RJHSE-3085	RJHSE-3085	H	Green	Green	1	8				
RJVISTA® Vertical Mount Shielded CAT 5E EMI Quiet w/ LED Option										
523-RJHSE-5381-02	RJHSE-5381-02	I	Yellow	Green	2	8				
523-RJHSE-5381-03	RJHSE-5381-03	I	Yellow	Green	3	8				
523-RJHSE-5381-04	RJHSE-5381-04	I	Yellow	Green	4	8				
523-RJHSE-5384-02	RJHSE-5384-02	I	Green	Yellow	2	8				
523-RJHSE-5384-04	RJHSE-5384-04	I	Green	Yellow	4	8				
523-RJHSE-5384-08	RJHSE-5384-08	I	Green	Yellow	8	8				
523-RJHSE-5385-02	RJHSE-5385-02	I	Green	Green	2	8				
RJVISTA® Shielded and Stacked CAT 5E EMI Quiet Multiple Ports w/ LED Option										
523-RJHSE-5380-02	RJHSE-5380-02	J	---	---	2	8				
523-RJSAE-5381-02	RJSAE-5381-02	J	Yellow	Green	2	8				
523-RJSAE-5384-02	RJSAE-5384-02	J	Green	Yellow	2	8				
523-RJSAE-5385-02	RJSAE-5385-02	J	Green	Green	2	8				
523-RJSAE-538A-02	RJSAE-538A-02	J	Grn/Yel	Grn/Yel	2	8				
523-RJSAE-5380-04	RJSAE-5380-04	J	---	---	4	8				
523-RJSAE-5381-04	RJSAE-5381-04	J	Yellow	Green	4	8				
523-RJSAE-538A-04	RJSAE-538A-04	J	Grn/Yel	Grn/Yel	4	8				
523-RJSAE-5380-08	RJSAE-5380-08	J	---	---	8	8				
523-RJSAE-5381-08	RJSAE-5381-08	J	Yellow	Green	8	8				
523-RJSAE-5385-08	RJSAE-5385-08	J	Green	Green	8	8				
523-RJSAE-538A-08	RJSAE-538A-08	J	Grn/Yel	Grn/Yel	8	8				

Amphenol Data/Network/Telecom