

AMPHENOL RF Connectors

Amphenol®



This product is RoHS compliant.

BNC COAXIAL CONNECTORS

Features:

- Bayonet coupling mechanism provides quick mating and unmating
- 50Ω and 75Ω impedance designs allow customers to match impedance to system requirements
- 50Ω and 75Ω connectors are intermateable to ensure non-destructive mating

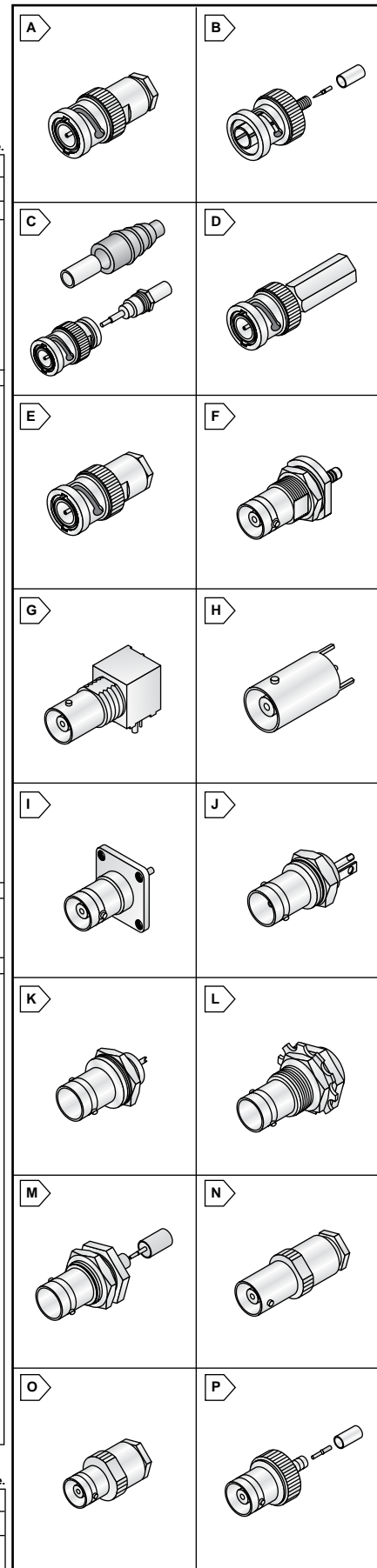
Specifications:

- Frequency Range: 0-4GHz
- Insulators: TFE
- Temperature Range: -65° to 165°C (TFE Insulators)
- Crimps: Hex Braid

† Hardware sold separately

For quantities of 500 and up, call for quote.

MOUSER STOCK NO.		Fig.	Imp.	MIL Type	Cable/ Description	Crimp Tool No.	Price Each			
Mfr.	Mfr. Part No.						1	10	25	100
Plugs - Cable Clamp										
523-31-2		A	50	UG-88/U	58, 141, 303, LMR 195, Belden 7806A	----				
523-31-12		A	50	UG-260	59, 62, 61, 140, 210, 302,	----				
523-31-202		A	50	UG-88C	55, 58, 141, 142, 223, 400	----				
523-31-212		A	50	UG-260B	59, 62, 140, 210, 8241, 8263, 8279	----				
523-31-212-1005		A	50	-----	59, 59 20 AWG	----				
523-6775		A	50	UG-959/U	8, 9, 11, 213, 214	----				
523-31-3202		A	50	UG88E/U	55, 58, 141, 142, 223, 400	----				
523-31-3301		A	50	M39012/16-0101	58, 141, 142, 400	----				
523-15875		A	50	-----	178, 196, .071" Outer Diameter	----				
523-69475		A	50	-----	174, 188, 316, Belden 7805	----				
Plugs - 3-Piece Crimp										
523-31-242		B	50	-----	179, 187, Belden 9221	CTL-2				
523-31-315		B	50	-----	174, 188, 316, Belden 7805	CTL-2				
523-31-315-1005		B	50	-----	Double Braid, RG-316U, 188, M17/152	CTL-2				
523-31-320		B	50	M23329/3-01,3-03	58, 141, 303, LMR 195, Belden 7806A	CTL-1				
523-31-325		B	50	-----	122, 180, 195, Belden 1865A, 8218	CTL-2				
523-31-320-1006		B	50	-----	Plenum 58, RG 122, Belden 88240, 82907	CTL-1				
523-31-321		B	50	M23329/3-05	59, 62, 140, 210, 8241, 8263, 8279	CTL-1				
523-31-321-1000		B	50	-----	Belden 8281, 88281	CTL-1				
523-31-326		B	50	M23329/3-02, 3-04	55, 142, 223, 400	CTL-1				
523-31-5800		B	50	-----	58, 122, 141, 303, LMR 195, 7806A, 88240, 89907	CTL-1				
523-31-5900		B	50	-----	59, 59 20 AWG, Belden 82108	CTL-1				
523-31-4320		B	50	M39012/16-0013	58, 141, 303, LMR 195, Belden 7806A	CTL-1				
523-31-4321		B	50	M39012/16-0015	59, 62, 140, 210, Belden 8241, 8263, 8279, 9209	CTL-1				
523-31-6006		B	50	-----	LMR240/7808A	CTL-1				
523-31-70000		B	75	-----	6, .295 Outer Diameter, Belden 1694A, 9248	CTL-8				
523-31-70008		B	75	-----	59, 62, 140, 210, Belden 8241, 8263, 8279, 9209	CTL-6				
523-31-70013		B	75	-----	179, 187, Belden 9221	CTL-6				
523-31-71008		B	75	-----	59, 62, 140, 210, 8241, 8263, 8279	CTL-1				
523-31-71008-2000		B	75	-----	Plenum 59, Belden 88241, 82259, 89259	CTL-1				
523-31-71013		B	75	-----	RG 179, 187, Belden 9221	CTL-2				
523-31-71032		B	75	-----	Belden 8281	CTL-2				
523-31-71033		B	75	-----	Belden 8218, 88281	CTL-2				
523-31-5558-RFX		B	50	-----	6	CTL-2				
523-36775		B	50	-----	58, 141	CTL-1				
523-36875		B	50	-----	55, 142, 223, 400	CTL-1				
523-68175-1003		B	50	-----	Belden 9259	CTL-1				
523-68175-1005		B	50	-----	59, 62, 140, 210, 8241, 8263, 8279	CTL-1				
523-31-371		C	50	-----	174, 188, 316, Belden 7805	----				
Plugs - SURETWIST®, QUICKTRIM®, and FCP										
523-31-5137		D	50	-----	89907, B7806A, RG-141, RG-58, RG-58C	----				
523-31-4541		E	50	-----	59, 62, 140, 210, Belden 8241, 8263, 8279, 9209	----				
523-31-4542		E	50	-----	Belden 9268, IBM 1836447	----				
Jacks										
523-31-342		F	50	M23329/3-15, 3-17	58, 141, 303, LMR 195, 7806A	CTL-1				
523-31-5431		G	50	-----	Standard Height, White Valox, Round Pins	----				
523-31-5431-1010		G	50	-----	Standard Height, White Valox, Fork Pins	----				
523-31-5486		G	50	-----	Low Profile, White Valox, Round Pins	----				
523-31-5486-1010		G	50	-----	Low Profile, White Valox, Fork Pins	----				
523-31-5493		G	50	-----	Valox Housing, Noryl Insulator, Round Pins	----				
523-31-5538		G	50	-----	Standard Height, Black Valox, Round Pins	----				
523-31-5540		G	50	-----	Low Profile, Black Valox, Round Pins	----				
523-31-5640		G	50	-----	Standard Height, Metal, Round Pins	----				
523-31-5640-1010		G	50	-----	Standard Height, Metal, Fork Pins	----				
523-31-71047-1010		G	75	-----	Standard Height, White Valox, Fork Pins	----				
523-31-5329		H	50	-----	Vertical PCB, 3 Legs, Blunt Post	----				
523-31-203		I	50	UG-290A/U	4 Hole Square Flange Mount	----				
523-31-10		J	50	-----	Isolated Bulkhead, Solder Cup & Ground Tab	----				
523-31-10-75		J	75	-----	Isolated Bulkhead, Solder Cup & Ground Tab	----				
523-31-238		K	50	UG-912/U	Front Mount, Hermetic, Tooth Washer	----				
523-31-4237		K	50	M39012/24-0001	Rear Mount, Hermetic, Tooth Washer	----				
523-31-102		K	50	UG-657/U	Bulkhead, Solder Cup	----				
523-31-206		L	50	UG-909/U	55, 142, 223, 400/Bulkhead Cable Clamp	----				
523-86350		L	50	-----	174, 188, 316, 7805/Bulkhead Cable Clamp	----				
523-31-318		M	50	-----	174, 188, 316, Belden 7805/Bulkhead Crimp	CTL-2				
523-31-221		K	50	UG-1094/U	Front Mount, Bulkhead, Solder Cup	----				
523-31-2221		K	50	UG-1094A/U	Front Mount, Bulkhead, Solder Cup	----				
523-31-236		K	50	UG-625B/U	Front Mount, Bulkhead, Solder Cup	----				
523-31-239		K	50	UG-657A/U	Front Mount, Bulkhead, Solder Cup	----				
523-31-5		N	50	UG-89	58, 141, 303, LMR 195, Belden 7806A	----				
523-31-15		O	50	UG-261/U	59, 62, 140, 210, 8241, 8263, 8279	----				
523-31-317		P	50	-----	174, 188, 316, Belden 7805	CTL-2				
523-31-5652		--	--	-----	Hex Nut for PCB Bulkhead Jacks	----				
523-31-5653		--	--	-----	Lockwasher for PCB Bulkhead Jacks	----				
523-31-70016		--	75	-----	Bulkhead Crimp, RG179, 187	CTL-6				



RF Connectors
Amphenol

ACCESSORIES

For quantities of 5000 and up, call for quote.

MOUSER STOCK NO.		Description	Price Each					
Mfr.	Mfr. Part No.		1	10	25	100	500	1000
523-31-5652		Hex Nut for PCB Bulkhead Jacks						
523-31-5653		Lockwasher for PCB Bulkhead Jacks						