

AMPHENOL N and TNC Series RF Connectors

Amphenol®

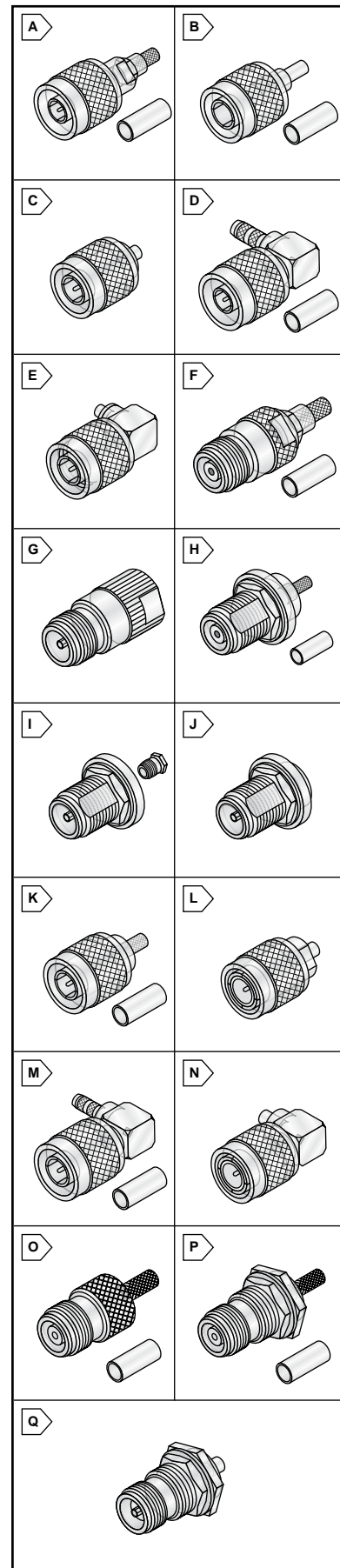
RoHS Compliant This product is RoHS compliant.

N SERIES FOR LMR AND SEMI-RIGID CABLES

- Impedance: 50Ω
- Finish: Nickel
- Frequency Range: 0-11GHz
- Body Material: Brass
- Center Contact: 3µ" Gold
- Insulation: Teflon

For quantities of 500 and up, call for quote.

MOUSER STOCK NO.	Amphenol Part No.	Fig.	Description	Cable	Crimp Tool	Price Each			
						1	10	25	100
523-172128	172128	A	Straight Crimp Plug	LMR 100/ RG316/U	47-10150				
523-172171	172171	A	Straight Crimp Plug	316 Double Braid	47-10150				
523-172142	172142	A	Straight Crimp Plug	RG 223/142/400	47-10180				
523-172100	172100	A	Straight Crimp Plug	LMR 195/RG58/U	47-10180				
523-172214	172214	A	Straight Crimp Plug	LMR 200	47-10180				
523-172135	172135	A	Straight Crimp Plug	LMR 240/8X	47-10180				
523-172206	172206	A	Straight Crimp Plug	LMR 600	47-10180				
523-172102	172102	A	Straight Crimp Plug	RG 8, 213	47-10090				
523-172166	172166	A	Straight Crimp Plug	RG 214	47-10090				
523-172101	172101	A	Straight Crimp Plug	RG 59	47-10180				
523-172102H243	172102H243	A	Straight Crimp Plug	LMR 400/B9913	47-10210				
523-172113H243	172113H243	B	Straight Clamp Plug	LMR 400/B9913	---				
523-172133	172133	C	Straight Solder Plug	.141 Semi-Rigid	---				
523-172211	172211	C	Straight Solder Plug	.085 Semi-Rigid	---				
523-172139	172139	C	Straight Solder Plug	.250 Semi-Rigid	---				
523-172180	172180	D	Right Angle Crimp Plug	LMR 100/ RG316/U	47-10150				
523-172177	172177	D	Right Angle Crimp Plug	LMR 195/RG58/U	47-10180				
523-172178	172178	D	Right Angle Crimp Plug	RG 223/142/400	47-10070				
523-172176	172176	D	Right Angle Crimp Plug	RG 8/213	47-10210				
523-172215	172215	D	Right Angle Crimp Plug	LMR 200	47-10070				
523-172219	172219	D	Right Angle Crimp Plug	LMR 240/8X	47-10180				
523-172176	172176	D	Right Angle Crimp Plug	LMR 400/B9913	47-10210				
523-172235	172235	E	Right Angle Solder Plug	.085 Semi-Rigid	---				
523-172266	172266	E	Right Angle Solder Plug	.250 Semi-Rigid	---				
523-172204	172204	F	Straight Crimp Jack	LMR 100/ RG316/U	47-10150				
523-172103	172103	F	Straight Crimp Jack	LMR 195/RG58/U	47-10180				
523-172216	172216	F	Straight Crimp Jack	LMR 200	47-10180				
523-172147	172147	F	Straight Crimp Jack	RG55/142/223/400	47-10180				
523-172148	172148	F	Straight Crimp Jack	LMR 240/8X	47-10180				
523-172203	172203	F	Straight Crimp Jack	LMR 400/B9913	47-10210				
523-172238	172238	G	Straight Solder Jack	.141 Semi-Rigid	---				
523-172237	172237	G	Straight Solder Jack	.085 Semi-Rigid	---				
523-172312	172312	G	Straight Solder Jack	.250 Semi-Rigid	---				
523-172129	172129	H	Bulkhead Crimp Jack	LMR 100/ RG316/U	47-10150				
523-172165	172165	H	Bulkhead Crimp Jack	316 Double Braid	47-10150				
523-172132	172132	H	Bulkhead Crimp Jack	RG 223/142	47-10180				
523-172217	172217	H	Bulkhead Crimp Jack	LMR 200	47-10180				
523-172108	172108	H	Bulkhead Crimp Jack	RG 8/213	47-10180				
523-172106	172106	H	Bulkhead Crimp Jack	LMR 195/RG58/U	47-10180				
523-172149	172149	H	Bulkhead Crimp Jack	LMR 240/8X	47-10180				
523-172220	172220	H	Bulkhead Crimp Jack	LMR 400/B9913	47-10210				
523-172264	172264	H	Bulkhead Crimp Jack	LMR 600	47-10150				
523-172143	172143	I	Bulkhead Clamp Jack	LMR 100/ RG316/U	---				
523-172137	172137	J	Bulkhead Solder Jack	.141 Semi-Rigid	---				
523-172138	172138	J	Bulkhead Solder Jack	.085 Semi-Rigid	---				
523-172153	172153	J	Bulkhead Solder Jack	.250 Semi-Rigid	---				



TNC SERIES FOR LMR AND SEMI-RIGID CABLES

- Impedance: 50Ω
- Body Material: Brass
- Insulation: Delrin (or Teflon*)
- 50Ω & 75Ω intermateable
- Frequency Range: 0-11 GHz
- Finish: Nickel
- Center Contact: 3µ" Gold

For quantities of 500 and up, call for quote.

MOUSER STOCK NO.	Amphenol Part No.	Fig.	Description	Cable	Crimp Tool	Price Each			
						1	10	25	100
523-122116	122116	K	Straight Crimp Plug	LMR 100/ RG316/U	47-10070				
523-122117	122117	K	Straight Crimp Plug	RG179/187/139221	47-10150				
523-122108	122108	K	Straight Crimp Plug	LMR 100/ RG58/U	47-10070				
523-122410	122410	K	Straight Crimp Plug	LMR 200	47-10070				
523-122408	122408	K	Straight Crimp Plug	LMR 240/8X	47-10070				
523-122372	122372	K	Straight Crimp Plug	RG55/U/ 142A/U/ 223/U/ 400/U	47-10070				
* 523-122393	122393	K	Straight Crimp Plug	LMR 400/B9913	47-10210				
* 523-122386	122386	L	Straight Solder Plug	.141 Semi-Rigid	---				
* 523-122387	122387	L	Straight Solder Plug	.085 Semi-Rigid	---				
* 523-122484	122484	L	Straight Solder Plug	.250 Semi-Rigid	---				
523-122148	122148	M	Right Angle Crimp/Solder Plug	LMR 100/ RG316/U	47-10150				
523-122140	122140	M	Right Angle Crimp/Solder Plug	LMR 100/ RG58/U	47-10070				
* 523-122414	122414	M	Right Angle Crimp/Solder Plug	LMR 240/8X	47-10070				
523-122416	122416	M	Right Angle Crimp/Solder Plug	LMR 400/B9913	47-10210				
* 523-122422	122422	N	Right Angle Solder Plug	.141 Semi-Rigid	---				
* 523-122420	122420	N	Right Angle Solder Plug	.085 Semi-Rigid	---				
523-122138	122138	O	Straight Crimp Jack	LMR 100/ RG316/U	47-10150				
* 523-122122	122122	O	Straight Crimp Jack	LMR 100/ RG58/U	47-10070				
523-122409	122409	O	Straight Crimp Jack	LMR 240/8X	47-10070				
* 523-122392	122392	O	Straight Crimp Jack	LMR 400/B9913	47-10210				
523-122192	122192	P	Bulkhead Crimp Jack	LMR 100/ RG316/U	47-10150				
* 523-122160	122160	P	Bulkhead Crimp Jack	LMR 100/ RG58/U	47-10070				
* 523-122415	122415	P	Bulkhead Crimp Jack	LMR 240/8X	47-10070				
* 523-122401	122401	Q	Bulkhead Solder Jack	.141 Semi-Rigid	---				
* 523-122400	122400	Q	Bulkhead Solder Jack	.085 Semi-Rigid	---				
* 523-122489	122489	Q	Bulkhead Solder Jack	.250 Semi-Rigid	---				