

AMPHENOL SMA RF Connectors

Amphenol®

RoHS Compliant This product is RoHS compliant.

SMA SERIES CONNECTORS AND ACCESSORIES

These SMA connectors offer a compact size and mechanically give outstanding durability.

- Impedance: 50Ω
- Body Material: Brass
- Insulation: Teflon
- Finish & Center Contact: Gold
- Frequency Range: 0-18GHz (semi-rigid); 0-12.4GHz (flexible cable)

SMA Coaxial Connectors

For quantities of 100 and up, call for quote.

MOUSER STOCK NO.	Amphenol Part No.	Fig.	Description	Cable	Crimp Tool	Price Each		
						1	10	25
523-132114	132114	A	Straight Crimp Plug	LMR 100/RG316/U	47-10150			
523-132113	132113	A	Straight Crimp Plug	LMR 195/RG58/U	47-10070			
523-132234	132234	A	Straight Crimp Plug	LMR 200	47-10070			
523-132231	132231	A	Straight Crimp Plug	LMR 240/8X	47-10070			
523-132298	132298	A	Straight Crimp Plug	LMR 400/B9913	47-10210			
523-132178	132178	A	Straight Crimp Plug	RG 316 U Dbl Braid	---			
523-132193	132193	A	Straight Crimp Plug	RG 178/196	47-10150			
523-132195	132195	A	Straight Crimp Plug	RG 223/142	47-10070			
523-132100	132100	B	Straight Solder Plug (no contact)	.141 Semi-Rigid	---			
523-132102	132102	C	Straight Solder Plug (with contact)	.141 Semi-Rigid	---			
523-132101	132101	C	Straight Solder Plug	.085 Semi-Rigid	---			
523-132188	132188	C	Straight Solder Plug w/Torque Nut	.085 Semi-Rigid	---			
523-132249	132249	C	Straight Solder Plug	.047 Semi-Rigid	---			
523-132296	132296	C	Straight Solder Plug	.250 Semi-Rigid	---			
523-132123	132123	D	Right Angle Crimp Plug	LMR 100/RG316/U	47-10150			
523-132122	132122	D	Right Angle Crimp Plug	LMR 195/RG58/U	47-10070			
523-132235	132235	D	Right Angle Crimp Plug	LMR 200	47-10070			
523-132239	132239	D	Right Angle Crimp Plug	LMR 240/8X	47-10070			
523-132173	132173	D	Right Angle Crimp Plug	RG 178/196	47-10150			
523-132194	132194	D	Right Angle Crimp Plug	RG 55/142/223/400	47-10070			
523-132112	132112	E	Right Angle Solder Plug	.141 Semi-Rigid	---			
523-132111	132111	E	Right Angle Solder Plug	.085 Semi-Rigid	---			
523-132344	132344	E	Right Angle Solder Plug	.250 Semi-Rigid	---			
523-132117	132117	F	Straight Crimp Jack	LMR 100/RG316/U	47-10150			
523-132116	132116	F	Straight Crimp Jack	LMR 195/RG58/U	47-10070			
523-132240	132240	F	Straight Crimp Jack	LMR 240	47-10070			
523-132236	132236	G	Straight Crimp Jack	LMR 200	47-10070			
523-132104	132104	H	Straight Solder Jack	.141 Semi-Rigid	---			
523-132103	132103	H	Straight Solder Jack	.085 Semi-Rigid	---			
523-132119	132119	I	Bulkhead Crimp Jack	LMR 100/RG316/U	47-10150			
523-132118	132118	I	Bulkhead Crimp Jack	LMR 195/RG58/U	47-10070			
523-132241	132241	I	Bulkhead Crimp Jack	LMR 240/B7808A	47-10070			
523-132333	132333	I	Bulkhead Crimp Jack	LMR 400	47-10210			
523-132106	132106	J	Bulkhead Solder Jack	.141 Semi-Rigid	---			
523-132105	132105	J	Bulkhead Solder Jack	.085 Semi-Rigid	---			
523-132246	132246	K	Right Angle Bulkhead Crimp Jack	LMR 195 / RG 58/U	47-10070			
523-132245	132245	K	Right Angle Bulkhead Crimp Jack	LMR 100 / RG 316/U	47-10150			
523-132120	132120	L	Panel Mount Crimp Jack, 4-hole	LMR 195 / RG58	47-10070			
523-132121	132121	L	Panel Mount Crimp Jack, 4-hole	LMR 100 / RG316	47-10150			
523-132107	132107	M	Panel Mount Solder Jack, 4-hole	.085 Semi-Rigid	---			
523-132108	132108	M	Panel Mount Solder Jack, 4-hole	.141 Semi-Rigid	---			
523-132109	132109	N	Panel Mount Solder Jack, 2-hole	.085 Semi-Rigid	---			
523-132110	132110	N	Panel Mount Solder Jack, 2-hole	.141 Semi-Rigid	---			

SMA Panel Mount and PCB Connectors

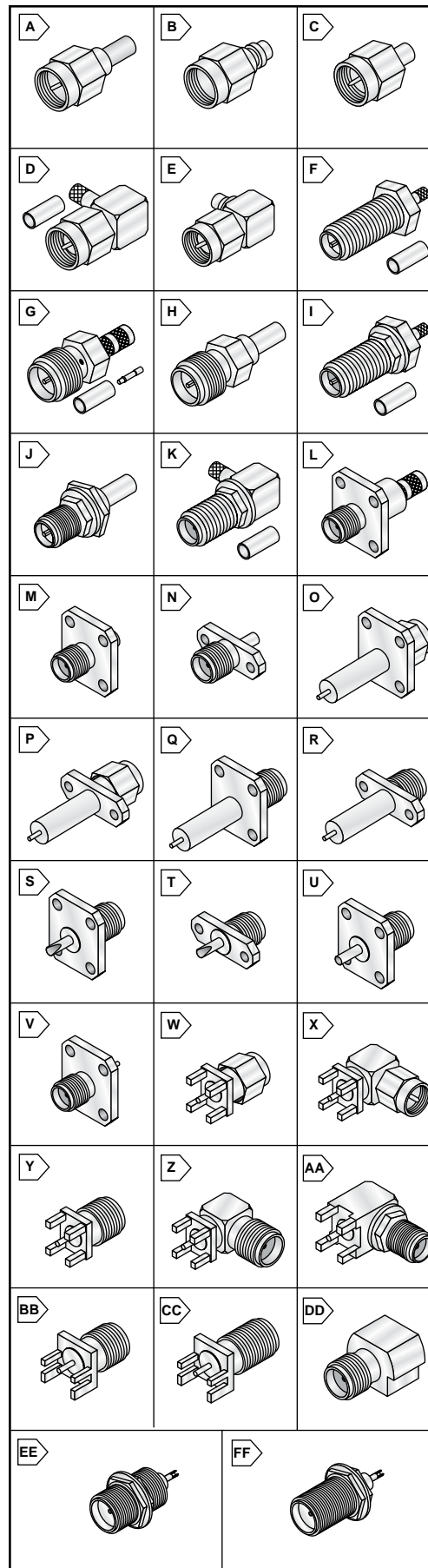
For quantities of 100 and up, call for quote.

MOUSER STOCK NO.	Amphenol Part No.	Fig.	Description	Price Each		
				1	10	25
523-132144	132144	O	Panel Mnt Plug, 4-hole, Extend Teflon			
523-132145	132145	P	Panel Mnt Plug, 2-hole, Extend Teflon			
523-132146	132146	Q	Panel Mnt Jack, 4-hole, Extend Teflon			
523-132147	132147	R	Panel Mnt Jack, 2-hole, Extend Teflon			
523-132142	132142	S	Panel Mount Jack, 4-hole			
523-132143	132143	T	Panel Mount Jack, 2-hole			
523-132150	132150	U	Panel Mount Jack, 4-hole, Sq Flange			
523-132166	132166	V	Straight Crimp Jack, 4 hole, .500 Sq			
523-132133	132133	W	Straight PCB Plug			
523-132135	132135	X	Right Angle PCB Plug			
523-132134	132134	Y	Straight PCB Jack			
523-132136	132136	Z	Right Angle PCB Jack			
523-132225	132225	Z	Right Angle PCB Jack Die-Cast			
523-132203	132203	AA	Right Angle Bulkhead PCB Jack			
523-132255	132255	BB	Straight End Launch Jack			
523-132289	132289	CC	Strght End Launch Bulkhead Jack			
523-132372	132372	DD	Strght End Launch SMT Jack			
523-132137	132137	EE	Bulkhead Jack, Front mount			
523-132139	132139	FF	Bulkhead Jack, Rear mount			

Accessories - Caps

For quantities of 100 and up, call for quote.

MOUSER STOCK NO.	Amphenol Part No.	Fig.	Description	Price Each		
				1	10	25
523-202112	202112	-	Male Cap			
523-202112-10	202112-10	-	Male Cap with Chain			
523-132348	132348	-	Female Cap with chain			
523-132331	132331	-	Male Shorting Cap			
523-132360	132360	-	Male 50Ω Resistor Cap			
523-132360RP	132360RP	-	Male 50Ω Res. Cap, Rev. Polarity			
523-132361	132361	-	Female 50Ω Resistor Cap			



RF Connectors Amphenol