


AMPHENOL Reverse Polarity RF Connectors

Amphenol®

 This product is RoHS compliant.

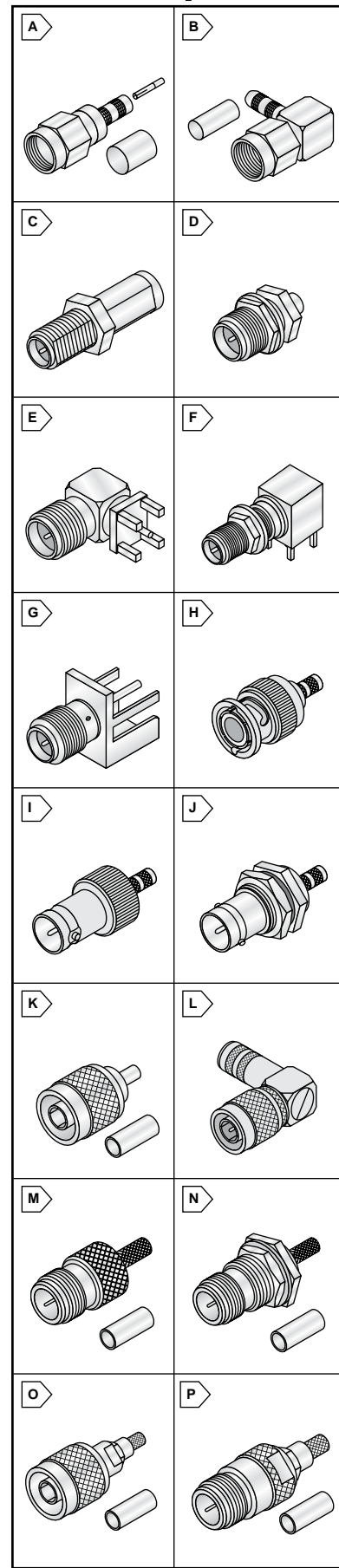
REVERSE POLARITY SMA CONNECTORS

Reverse Polarity connectors employ female contacts in the plug connector and male contacts in the jack connector. SMA-RP will not mate with standard SMA Connectors.

- Impedance: 50Ω
- Frequency Range: 0-6GHz
- Body Material: Brass
- Finish: Gold

For quantities of 500 and up, call for quote.

MOUSER STOCK NO.	Amphenol Part No.	Fig.	Description	Cable	Crimp Tool	Price Each			
						1	10	25	100
523-132114RP	132114RP	A	Straight Crimp Plug	LMR100 / RG316, 174	47-10070				
523-132113RP	132113RP	A	Straight Crimp Plug	LMR195 / RG58	47-10150				
523-132195RP	132195RP	A	Straight Crimp Plug	RG223, 142	47-10070				
523-132231RP	132231RP	A	Straight Crimp Plug	LMR 240 / RG8X	47-10070				
523-132298RP	132298RP	A	Straight Crimp Plug	LMR 400/Belden 9913, 9914	47-10210				
523-132122RP	132122RP	B	Right Angle Crimp Plug	LMR 195 / RG58	47-10070				
523-132123RP	132123RP	B	Right Angle Crimp Plug	LMR100 / RG316, 174	47-10150				
523-132116RP	132116RP	C	Straight Crimp Jack	LMR 195 / RG58	47-10070				
523-132240RP	132240RP	C	Straight Crimp Jack	8X/LMR 240 / B7808A	47-10070				
523-132117RP	132117RP	C	Straight Crimp Jack	LMR100 / RG316, 174	47-10150				
523-132240RP	132240RP	C	Straight Crimp Jack	RG, 8X, LMR240/B7808A	47-10070				
523-112603RP	112603RP	C	Straight Crimp Jack	LMR400/Belden 8214,9913,9914	47-10210				
523-132118RP	132118RP	D	Bulkhead Crimp Jack	LMR 195 / RG58	47-10070				
523-132119RP	132119RP	D	Bulkhead Crimp Jack	LMR100 / RG316, 174	47-10150				
523-132220RP	132220RP	D	Bulkhead Crimp Jack	RG178, 196	47-10150				
523-132136RP	132136RP	E	Right Angle PCB Jack	---	---				
523-132203RP	132203RP	F	Right Angle Bulkhead PCB Jack	---	---				
523-132255RP	132255RP	G	Edge Mount PCB Jack, .062	---	---				



REVERSE POLARITY BNC CONNECTORS

Reverse Polarity connectors employ female contacts in the plug connector and male contacts in the jack connector. BNC-RP will not mate with standard BNC Connectors.

- Impedance: 50Ω
- Frequency range: 0-4GHz
- Body Material: Brass
- Body Plating: Nickel
- Contact Plating: Gold

For quantities of 500 and up, call for quote.

MOUSER STOCK NO.	Amphenol Part No.	Fig.	Description	Cable	Crimp Tool	Price Each			
						1	10	25	100
523-112132RP	112132RP	H	Straight Crimp Plug	LMR 100 / RG 316	47-10150				
523-112116RP	112116RP	H	Straight Crimp Plug	LMR 195 / RG 58, 141	47-10070				
523-112514RP	112514RP	H	Straight Crimp Plug	RG 223, 142, 400	47-10070				
523-112533RP	112533RP	H	Straight Crimp Plug	LMR 240 / RG8X	47-10070				
523-112563RP	112563RP	H	Straight Crimp Plug	LMR 400 / B9913	47-10210				
523-112144RP	112144RP	I	Straight Crimp Jack	LMR 195 / RG 58, 141	47-10070				
523-112234RP	112234RP	J	Bulkhead Crimp Jack	LMR 100 / RG 316	47-10150				
523-112202RP	112202RP	J	Bulkhead Crimp Jack	LMR 195 / RG 58, 141	47-10070				
523-112505RP	112505RP	J	Bulkhead Crimp Jack	55/142/223/400	47-10070				

REVERSE POLARITY TNC CONNECTORS

Reverse Polarity connectors employ female contacts in the plug connector and male contacts in the jack connector. TNC-RP will not mate with standard TNC Connectors.

- Impedance: 50Ω
- Frequency range: 0-4GHz
- Body Material: Brass
- Body Plating: Nickel
- Contact Plating: Gold

For quantities of 500 and up, call for quote.

MOUSER STOCK NO.	Amphenol Part No.	Fig.	Description	Cable	Crimp Tool	Price Each			
						1	10	25	100
523-122116RP	122116RP	K	Straight Crimp Plug	LMR 100 / RG 316	47-10150				
523-122108RP	122108RP	K	Straight Crimp Plug	LMR 195 / RG 58	47-10070				
523-122372RP	122372RP	K	Straight Crimp Plug	RG 223, 142, 400	47-10070				
523-122394RP	122394RP	K	Straight Crimp Plug	RG 8 / 213	47-10090				
523-122408RP	122408RP	K	Straight Crimp Plug	LMR 240 / RG8X	47-10070				
523-122393RP	122393RP	K	Straight Crimp Plug	LMR 400 / B9913	47-10210				
523-122140RP	122140RP	L	Right Angle Crimp Plug	RG 58,58C	-----				
523-122138RP	122138RP	M	Straight Crimp Jack	LMR 100 / RG 316	47-10150				
523-122122RP	122122RP	M	Straight Crimp Jack	LMR 195 / RG 58	47-10070				
523-122409RP	122409RP	M	Straight Crimp Jack	LMR 240 / RG8X	47-10070				
523-122392RP	122392RP	M	Straight Crimp Jack	LMR 400 / B9913	47-10210				
523-122192RP	122192RP	N	Bulkhead Crimp Jack	LMR 100 / RG 316	47-10150				
523-122160RP	122160RP	N	Bulkhead Crimp Jack	LMR 195 / RG 58, 141	47-10070				
523-122370RP	122370RP	N	Bulkhead Crimp Jack	RG 178/196	47-10150				

REVERSE POLARITY N CONNECTORS

Reverse Polarity connectors employ female contacts in the plug connector and male contacts in the jack connector. N-RP will not mate with standard N Connectors.

- Impedance: 50Ω
- Frequency range: 0-4GHz
- Body Material: Brass
- Body Plating: Nexcoate
- Contact Plating: Gold

For quantities of 500 and up, call for quote.

MOUSER STOCK NO.	Amphenol Part No.	Fig.	Description	Cable	Crimp Tool	Price Each			
						1	10	25	100
523-172100RP	172100RP	O	Straight Crimp Plug	LMR 195 / RG 58	47-10180				
523-172135RP	172135RP	O	Straight Crimp Plug	LMR 240 / RG8X	47-10180				
523-172102H243RP	172102H243RP	O	Straight Crimp Plug	LMR 400 / B9913	47-10210				
523-172103RP	172103RP	P	Straight Crimp Jack	LMR 195 / RG 58	47-10180				
523-172129	172129	P	Bulkhead Crimp Jack	174/188A/316/B7805A	47-10150				