

# AMP I/O Cable Assemblies

RoHS Compliant **This product is RoHS compliant.**



File No. E81956

## USB 2.0 CABLE ASSEMBLIES

### Features:

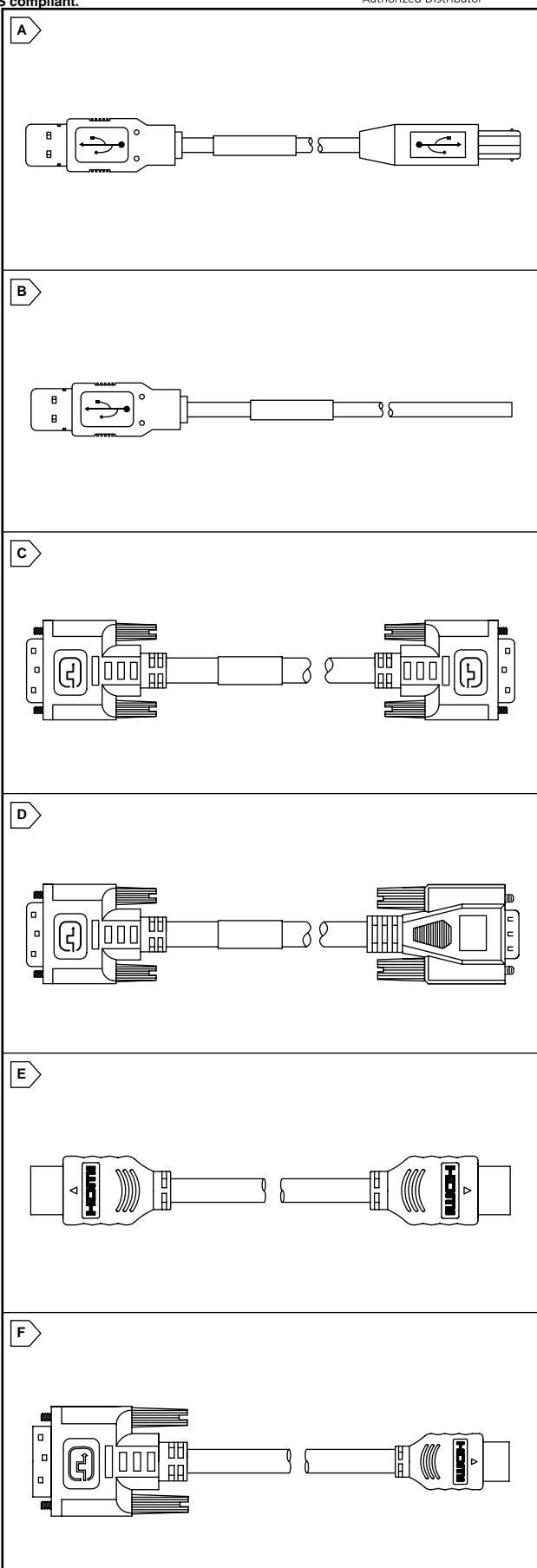
- High density design
- Supports "Plug and Play" peripheral connectivity
- 480MB/s transfer rate

### Specifications:

- Applied Voltage Rating: 30VAC
- Mating Force: 1oz.
- Durability: 1500 Cycles
- 28AWG

For quantities of 50 and up, call for quote.

MOUSER STOCK NO.	AMP Part No.	Fig.	Description	Color	Length (M)	Price Each			
						1	5	10	25
571-1487594-3	1487594-3	A	A-B, 28/28	Black	.16				
571-1487586-3	1487586-3	A	A-B, 28/28	White	.16				
571-1487594-2	1487594-2	A	A-B, 28/28	Black	.25				
571-1487586-2	1487586-2	A	A-B, 28/28	White	.25				
571-1487594-4	1487594-4	A	A-B, 28/28	Black	.31				
571-1487586-4	1487586-4	A	A-B, 28/28	White	.31				
571-1487594-1	1487594-1	A	A-B, 28/28	Black	.5				
571-1487586-1	1487586-1	A	A-B, 28/28	White	.5				
571-1487595-3	1487595-3	A	A-B, 28/26	Black	.83				
571-1487587-3	1487587-3	A	A-B, 28/26	White	.83				
571-1487595-1	1487595-1	A	A-B, 28/26	Black	1				
571-1487587-1	1487587-1	A	A-B, 28/26	White	1				
571-1487595-2	1487595-2	A	A-B, 28/26	Black	1.3				
571-1487587-2	1487587-2	A	A-B, 28/26	White	1.3				
571-1487596-2	1487596-2	A	A-B, 28/24	Black	1.5				
571-1487588-2	1487588-2	A	A-B, 28/24	White	1.5				
571-1487596-3	1487596-3	A	A-B, 28/24	Black	1.8				
571-1487588-3	1487588-3	A	A-B, 28/24	White	1.8				
571-1487596-1	1487596-1	A	A-B, 28/24	Black	2				
571-1487588-1	1487588-1	A	A-B, 28/24	White	2				
571-1487597-2	1487597-2	A	A-B, 25/22	Black	2.5				
571-1487589-2	1487589-2	A	A-B, 25/22	White	2.5				
571-1487597-1	1487597-1	A	A-B, 25/22	Black	3				
571-1487589-1	1487589-1	A	A-B, 25/22	White	3				
571-1487598-1	1487598-1	A	A-B, 25/20	Black	4				
571-1487590-1	1487590-1	A	A-B, 25/20	White	4				
571-1487598-2	1487598-2	A	A-B, 25/20	Black	5				
571-1487590-2	1487590-2	A	A-B, 25/20	White	5				
571-1487599-1	1487599-1	B	A-BLUNT, 28/28	Black	.83				
571-1487591-1	1487591-1	B	A-BLUNT, 28/28	White	.83				
571-1487600-1	1487600-1	B	A-BLUNT, 28/26	Black	1				
571-1487592-1	1487592-1	B	A-BLUNT, 28/26	White	1				
571-1487601-2	1487601-2	B	A-BLUNT, 28/24	Black	1.5				
571-1487593-2	1487593-2	B	A-BLUNT, 28/24	White	1.5				
571-1487601-1	1487601-1	B	A-BLUNT, 28/24	Black	2				
571-1487593-1	1487593-1	B	A-BLUNT, 28/24	White	2				



Cable Assemblies

AMP

## DVI CABLE ASSEMBLIES

### Features:

- Designed to meet the Digital Display Working Group, Digital Visual Interface (DVI) specification
- Bridges the transition from analog to digital video display designs
- Supports digital and/or analog video functions

### Specifications:

- Applied Voltage Rating: 40VAC
- Mating Force: 10.0lbs. Max.
- Durability: 100 Cycles

For quantities of 50 and up, call for quote.

MOUSER STOCK NO.	AMP Part No.	Fig.	Description	Length (M)	Price Each			
					1	5	10	25
571-1653927-1	1653927-1	C	DVI-D to DVI-D Single Link	1				
571-1653927-3	1653927-3	C	DVI-D to DVI-D Single Link	3				
571-1653928-1	1653928-1	C	DVI-D to DVI-D Dual Link	1				
571-1653928-3	1653928-3	C	DVI-D to DVI-D Dual Link	3				
571-1653929-1	1653929-1	C	DVI-I to DVI-I	1				
571-1653929-2	1653929-2	C	DVI-I to DVI-I	2				
571-1653929-3	1653929-3	C	DVI-I to DVI-I	3				
571-1653932-1	1653932-1	D	DVI-A to 15 POSN VGA	1				
571-1653932-2	1653932-2	D	DVI-A to 15 POSN VGA	2				
571-1653932-3	1653932-3	D	DVI-A to 15 POSN VGA	3				

## HDMI CABLE ASSEMBLIES

### Features:

- Simple User Friendly Connector
- Replaces existing audio and digital cabling in one assembly
- Full shielding for ESD protection and lead-free process capable

### Specifications:

- Applied Voltage Rating: 40VAC
- Mating Force: 9.9lbs. Max.
- Durability: 10,000 Cycles

For quantities of 50 and up, call for quote.

MOUSER STOCK NO.	AMP Part No.	Fig.	Description	Length (M)	Price Each			
					1	5	10	25
571-1770019-3	1770019-3	E	HDMI to HDMI	.25				
571-1770019-4	1770019-4	E	HDMI to HDMI	.50				
571-1770019-5	1770019-5	E	HDMI to HDMI	.75				
571-1770019-6	1770019-6	E	HDMI to HDMI	1.0				
571-1770019-1	1770019-1	E	HDMI to HDMI	2.0				
571-1770019-2	1770019-2	E	HDMI to HDMI	3.0				
571-1770020-3	1770020-3	F	HDMI to DVI	.25				
571-1770020-4	1770020-4	F	HDMI to DVI	.50				
571-1770020-6	1770020-6	F	HDMI to DVI	1.0				
571-1770020-1	1770020-1	F	HDMI to DVI	2.0				
571-1770020-2	1770020-2	F	HDMI to DVI	3.0				