

SUMIDA Power Inductors



RoHS Compliant This product is RoHS compliant.



RoHS Compliant



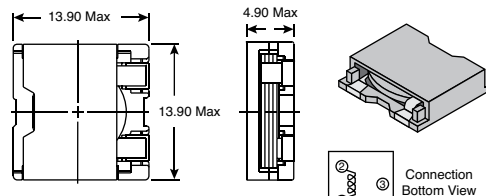
Construction

SUMIDA CDEP134 POWER INDUCTORS

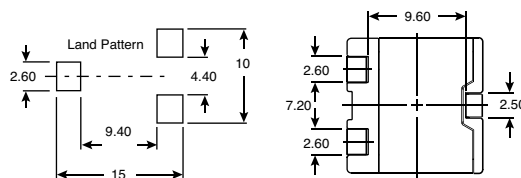
High current handling and low DCR are achieved in a small package with Flat Wire Technology. EMI Shielding is used to minimize crosstalk interference.

For quantities of 1000 and up, call for quote.

MOUSER STOCK NO.	Sumida Part No.	Value (µH)	Current (A)	Inductance Tolerance	Price Each			
					1	10	100	500
851-CDEP134NP-R6NC-H	CDEP134NP-0R6NC-H	0.66	17	±30%				
851-CDEP134NP-0R9MC	CDEP134NP-0R9MC	0.9	17	±20%				
851-CDEP134NP1R2MC-H	CDEP134NP-1R2MC-H	1.2	15	±20%				
851-CDEP134NP-1R6MC	CDEP134NP-1R6MC	1.6	15	±20%				
851-CDEP134NP-2R5MC	CDEP134NP-2R5MC	2.5	10.5	±20%				
851-CDEP134NP2R7MC-H	CDEP134NP-2R7MC-H	2.7	12	±20%				
851-CDEP134NP3R6MC-H	CDEP134NP-3R6MC-H	3.6	7.5	±20%				
851-CDEP134NP-4R8MC	CDEP134NP-4R8MC	4.8	7	±20%				
851-CDEP134NP6R0MC-H	CDEP134NP-6R0MC-H	6	6.5	±20%				
851-CDEP134NP-6R4MC	CDEP134NP-6R4MC	6.4	7	±20%				
851-CDEP134NP-8R0MC	CDEP134NP-8R0MC	8	6.5	±20%				



DIMENSIONS: mm



SUMIDA CDR7D28MN POWER INDUCTORS

The DC superposition characteristic is extended by making manganese zinc and nickel zinc ferrite core into a hybrid as compared with the previous type.



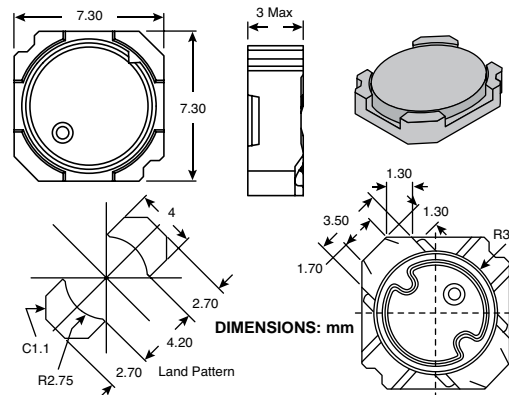
RoHS Compliant



Construction

For quantities of 1000 and up, call for quote.

MOUSER STOCK NO.	Sumida Part No.	Value (µH)	Current (A)	Price Each			
				1	10	100	500
851-CDR7D28MNNP2R0NC	CDR7D28MNNP-2R0NC	2	3.95				
851-CDR7D28MNNP4R6NC	CDR7D28MNNP-4R6NC	4.6	3.1				
851-CDR7D28MNNP6R8NC	CDR7D28MNNP-6R8NC	6.8	2.75				
851-CDR7D28MNNP8R0NC	CDR7D28MNNP-8R0NC	8	2.6				
851-CDR7D28MNNP100NC	CDR7D28MNNP-100NC	10	2.5				
851-CDR7D28MNNP150NC	CDR7D28MNNP-150NC	15	2				
851-CDR7D28MNNP220NC	CDR7D28MNNP-220NC	22	1.6				
851-CDR7D28MNNP330NC	CDR7D28MNNP-330NC	33	1.2				



DIMENSIONS: mm

SUMIDA CDRH104R POWER INDUCTORS



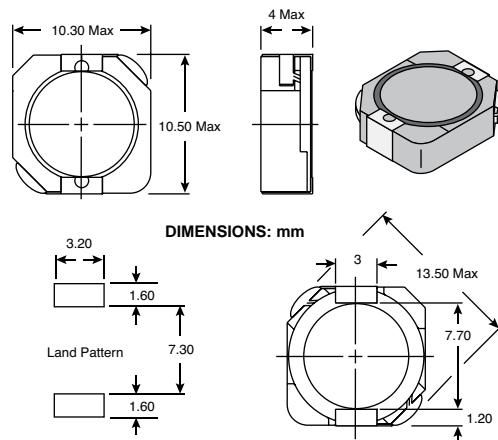
RoHS Compliant



Construction

For quantities of 1000 and up, call for quote.

MOUSER STOCK NO.	Sumida Part No.	Value (µH)	Current (A)	Price Each			
				1	10	100	500
851-CDRH104RNP-1R5NC	CDRH104RNP-1R5NC	1.5	6.5				
851-CDRH104RNP-2R5NC	CDRH104RNP-2R5NC	2.5	6.1				
851-CDRH104RNP-3R8NC	CDRH104RNP-3R8NC	3.8	5.5				
851-CDRH104RNP5R2NC	CDRH104RNP-5R2NC	5.2	5.4				
851-CDRH104RNP-7R0NC	CDRH104RNP-7R0NC	7	4.5				
851-CDRH104RNP-100NC	CDRH104RNP-100NC	10	3.8				
851-CDRH104RNP-150NC	CDRH104RNP-150NC	15	3.1				
851-CDRH104RNP-220NC	CDRH104RNP-220NC	22	2.5				
851-CDRH104RNP-330NC	CDRH104RNP-330NC	33	2.2				
851-CDRH104RNP-470NC	CDRH104RNP-470NC	47	1.9				
851-CDRH104RNP-680NC	CDRH104RNP-680NC	68	1.42				
851-CDRH104RNP-101NC	CDRH104RNP-101NC	100	1.25				



DIMENSIONS: mm

SUMIDA CDRH127 POWER INDUCTORS

CDRH127 series are SMD power inductors with electrodes directly attached to the ferrite core. EMI Shielding is used to minimize crosstalk interference.



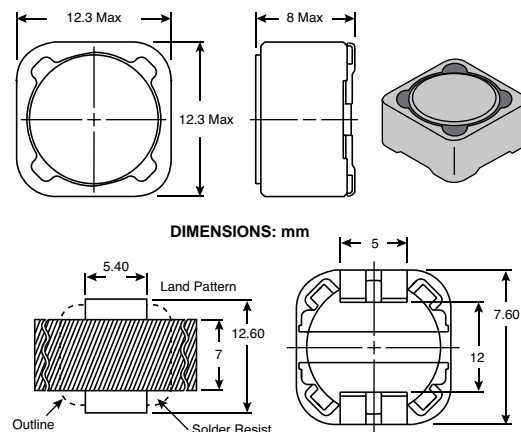
RoHS Compliant



Construction

For quantities of 1000 and up, call for quote.

MOUSER STOCK NO.	Sumida Part No.	Value (µH)	Current (A)	Price Each			
				1	10	100	500
851-CDRH127NP-4R7NC	CDRH127NP-4R7NC	4.7	6.8				
851-CDRH127NP-6R1NC	CDRH127NP-6R1NC	6.1	6.6				
851-CDRH127NP-7R6NC	CDRH127NP-7R6NC	7.6	5.9				
851-CDRH127NP-100MC	CDRH127NP-100MC	10	5.4				
851-CDRH127NP-150MC	CDRH127NP-150MC	15	4.5				
851-CDRH127NP-220MC	CDRH127NP-220MC	22	3.6				
851-CDRH127NP-270MC	CDRH127NP-270MC	27	3.4				
851-CDRH127NP-330MC	CDRH127NP-330MC	33	3				
851-CDRH127NP-390MC	CDRH127NP-390MC	39	2.75				
851-CDRH127NP-470MC	CDRH127NP-470MC	47	2.5				
851-CDRH127NP-560MC	CDRH127NP-560MC	56	2.35				
851-CDRH127NP-680MC	CDRH127NP-680MC	68	2.1				
851-CDRH127NP-101MC	CDRH127NP-101MC	100	1.7				
851-CDRH127NP-102MC	CDRH127NP-102MC	1000	0.55				



DIMENSIONS: mm