

PANASONIC SMD Power Choke Coils

ROHS Compliant This product is RoHS compliant.



NEW SUPPLIER

Inductors

Panasonic

NEW SUPPLIER

NEW SUPPLIER

NEW SUPPLIER

PCC-M104L SERIES

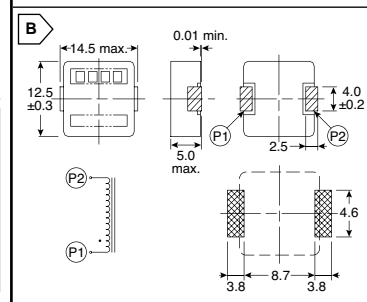
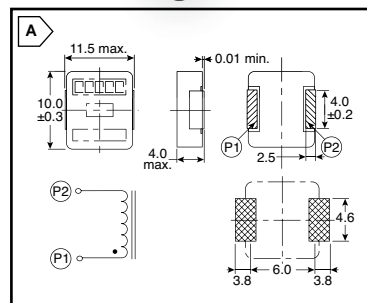
- Features:**
- Small mounting size for multi-phase DC-DC converter circuits
 - Small type (1.5x10.0xH4.0mm)
 - High power (21A to 28A)
 - Low loss (R_{DC}: 0.7 to 1.56mΩ)
 - Tighter DCR tolerance (±5% to ±10%)
 - Suitable for high frequency circuit (up to 1MHz)
 - Low buzz noise due to its gap-less structure

- Applications:**
- Servers, routers, DC-DC converters for driving CPUs
 - Notebook PC power supply modules



For quantities of 1000 and up, call for quote.

MOUSER STOCK NO.		Fig.	Inductance @ 20°C				Idc (A)	DCR (mΩ)	Price Each			Price Per Reel of 500 (ea.)
Mfr.	Mfr. Part No.		L0@0A (uH)	L1 (uH)	L2 Reference Current (A)	L2 Reference Current (A)			1	50	100	
	667—ETQ-P4LR19WFC	A	0.2	0.19	0.21	0.17	0.28	.70				
	667—ETQ-P4LR36WFC	A	0.37	0.36	17	0.34	24	1.10				
	667—ETQ-P4LR56WFC	A	0.6	0.56	15	0.53	21	1.56				
	667—ETQ-P4LR45XFC	A	0.45	~	~	0.38	25	1.10				



PCC-M125L SERIES

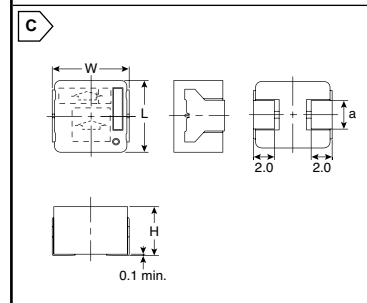
- Features:**
- High power (25A to 30A)
 - Low loss (R_{DC}: 0.8 to 1.1mΩ)
 - Narrow R_{DC} tolerance (±5% to ±7%)
 - Low profile (14.5x12.5xH5.0mm)
 - High frequency (up to 1MHz)
 - Low buzz noise due to its gap-less structure

- Applications:**
- Servers, routers, DC-DC converters for driving CPUs
 - Notebook PC power supply modules



For quantities of 1000 and up, call for quote.

MOUSER STOCK NO.		Fig.	Inductance @ 20°C				Idc	DCR (mΩ)	Price Each			Reel	
Mfr.	Mfr. Part No.		L1		L2 Reference				1	50	100	Qty.	Ea.
			Value (uH)	Current (A)	Value (uH)	Current (A)							
	667—ETQ-P5LR50XFA	B	0.5	30	0.46	42	30	0.8			500		
	667—ETQ-P5LR60XFA	B	0.6	30	0.54	42	27	1.1			500		

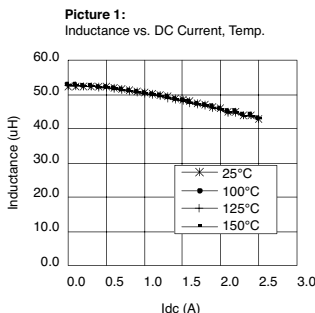


DIMENSIONS: mm				
Series	L	W	H	a
M0754M	7.0±0.4	7.5±0.4	5.4 max.	3.0±0.3
M0854M	8.0±0.4	8.5±0.4	5.4 max.	3.0±0.3
M1054M	10.7±0.5	10.0±0.4	5.4 max.	4.2±0.3

PCC-M0754M / M0854M / M1054M SERIES

- Features:**
- High heat resistance: operation up to 150°C
 - High reliability: high vibration tolerance in high temperature due to newly developed integral construction and sever condition of automotive application is cleared
 - High bias current: excellent inductance stability by using ferrous alloy magnetic material (See Picture 1)
 - Temp. stability: excellent inductance stability in wide temp. range
 - Low buzz noise: new metal composite core technology
 - High efficiency: low R_{DC} of winding and low eddy-current loss of the core

- Applications:**
- Noise filter for various drive circuitry requiring high temp. operation and peak current handling capability
 - DC-DC converters



For quantities of 1000 and up, call for quote.

MOUSER STOCK NO.		Fig.	Series	Inductance @ 20°C		Idc		DCR (mΩ)		Price Each			Reel	
Mfr.	Mfr. Part No.			Value (uH)	Tol	Rated Current	Refer. Current	Typ. (mΩ)	Tol	1	50	100	Qty.	Ea.
	667—ETQ-P5M2R5YFC	C	M1054M	2.5	±20	6	10	5.3	±10			500		
	667—ETQ-P5M2R5YFK	C	M0854M	2.45	±20	4.5	7.5	7.6	±10			500		
	667—ETQ-P5M220YFK	C	M0854M	22	±20	1.6	2.6	63	±10			500		
	667—ETQ-P5M470YFM	C	M0754M	48	±20	1	1.6	156	±10			500		

