

PANASONIC SMD Power Choke Coils

RoHS Compliant This product is RoHS compliant.



PCC-D124H SERIES

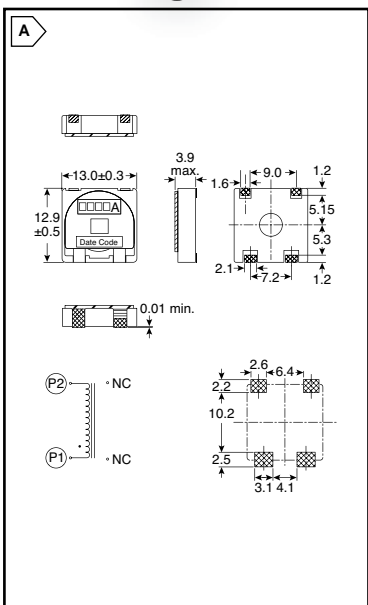
- Features:**
- High power, high inductance (No saturation performance limitation due to metal dust core) (17A to 32A/1.25 μH to 0.32 μH)
 - Low loss due to low R_{DC} (using flat wire)
 - Low buzz noise due to its gap-less structure
 - Surface mount, low profile (H)3.9mm x (L)13.0mm x (W)12.9mm

- Applications:**
- DC-DC converter for CPU in PCs
 - Thin on-board power supply modules for servers



For quantities of 1000 and up, call for quote.

MOUSER STOCK NO.		Fig.	Inductance @ 20°C				Idc	DCR (mΩ)	Price Each			Price Per Reel of 500 (ea.)
Mfr.	Mfr. Part No.		L1		L2 Reference				1	50	100	
			Value (uH)	Tol	Current (A)	Value (uh)	Current (A)					
667	—ETQ-P3H0R4BFA	A	0.36	±20%	23	0.32	32	23	1.04			
667	—ETQ-P3H0R8BFA	A	0.8	±20%	16	0.71	22	16	2.33			
667	—ETQ-P3H1R4BFA	A	1.43	±20%	12	1.25	17	12	4.52			
667	—ETQ-P6F0R6BFA	A	0.58	±20%	19	0.54	27	19	1.44			
667	—ETQ-P6F1R1BFA	A	1.06	±20%	16	0.99	22	16	2.24			
667	—ETQ-P6F1R8BFA	A	1.71	±20%	14	1.5	20	14	3.3			
667	—ETQ-P6F2R5BFA	A	2.45	±20%	12	2.17	17	12	4.92			
667	—ETQ-P6F3R4BFA	A	3.32	±20%	10	2.96	14	10	6.48			



PCC-F126F SERIES

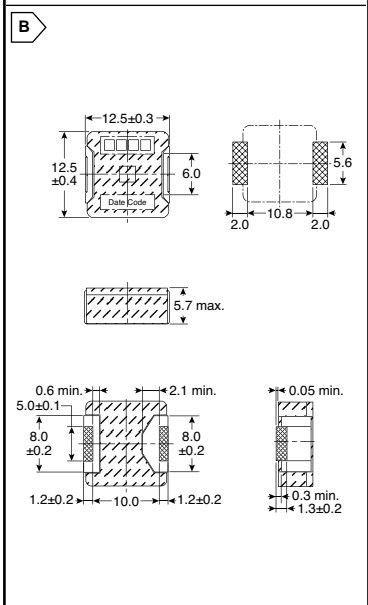
- Features:**
- High Power (Isat 20A/100°C)
 - Thin profile (5.7mm height)/SMD
 - Low leakage flux

- Applications:**
- DC-DC converter for driving PCs at high speed
 - On-board power supply module for DC-DC converters (10 to 40W)



For quantities of 1000 and up, call for quote.

MOUSER STOCK NO.		Fig.	Type	Initial Inductance @ 25°C		Inductance @ Flat Point		Saturation Current		I (A)	DCR (mΩ) (max)	Price Each			Price Per Reel of 500 (ea.)
Mfr.	Mfr. Part No.			Value (uH)	Tol	Value (uh)	Tol	Isat (A min)	Isat (A min)			@ 25°C	@ 100°C	1	
667	—ETQ-P6F1R2HFA	B	HL	2.3	±30%	1.2	±30%	14.3	11.7	14.2	2.24				
667	—ETQ-P6F2R0HFA	B	HL	3.5	±30%	2	±30%	10.7	8.7	12.5	3.3				
667	—ETQ-P6F3R2HFA	B	HL	4.8	±20%	3.2	±20%	8.6	7.1	10.8	4.92				
667	—ETQ-P6F4R6HFA	B	HL	6.6	±20%	4.6	±20%	7.3	6	9.3	6.48				
667	—ETQ-P6F6R4HFA	B	HL	8.3	±20%	6.4	±20%	6.2	5.2	7.9	8.64				
667	—ETQ-P6F8R2HFA	B	HL	10.4	±20%	8.2	±20%	6	5	7.2	10.9				
667	—ETQ-P6F10R2HFA	B	HL	12.5	±20%	10.2	±20%	4.7	4	6.5	13.3				
667	—ETQ-P6F1R0SFA	B	SP	1.9	±30%	1	±30%	19.4	15.4	14.2	2.24				
667	—ETQ-P6F1R6SFA	B	SP	2.8	±30%	1.6	±30%	14.9	12.2	12.5	3.3				
667	—ETQ-P6F2R5SFA	B	SP	3.6	±30%	2.5	±30%	11.3	9.3	10.8	4.92				
667	—ETQ-P6F3R5SFA	B	SP	4.9	±30%	3.5	±30%	9.5	8	9.3	6.48				
667	—ETQ-P6F0R8LFA	B	LB	1.8	±30%	0.8	±30%	25.2	20	14.2	2.24				
667	—ETQ-P6F1R3LFA	B	LB	2.5	±30%	1.3	±30%	18.6	15.8	12.5	3.3				
667	—ETQ-P6F2R0LFA	B	LB	3.1	±30%	2	±30%	15.1	12.1	10.8	4.92				
667	—ETQ-P6F2R9LFA	B	LB	4.1	±30%	2.9	±30%	12	10	9.3	6.48				
667	—ETQ-P6F4R1LFA	B	LB	5.0	±20%	4.1	±20%	10.8	8.7	7.9	8.64				



PCC-D125H SERIES

- Features:**
- High power, high inductance (No saturation performance limitation due to metal dust core) (17A to 50A/2.12 μH to 0.24 μH)
 - Low loss due to low R_{DC} (using flat wire)
 - Low buzz noise due to its gap-less structure
 - Surface mount, low profile (H) 4.9mm x (L) 13.0mm x (W) 12.9mm

- Applications:**
- DC-DC converter for CPU in PCs
 - Thin on-board power supply modules for servers



For quantities of 1000 and up, call for quote.

MOUSER STOCK NO.		Fig.	Inductance @ 20°C				Idc	DCR (mΩ)	Price Each			Price Per Reel of 500 (ea.)
Mfr.	Mfr. Part No.		L1		L2 Reference				1	50	100	
			Value (uH)	Tol	Current (A)	Value (uh)	Current (A)					
667	—ETQ-P2H1R2BFA	C	1.22	±20%	16	1.04	22	16	2.27			
667	—ETQ-P2H1R8BFA	C	1.83	±20%	14	1.49	20	14	3.48			
667	—ETQ-P2H0R3BFA	C	0.29	±20%	36	0.24	50	36	0.54			
667	—ETQ-P2H2R6BFA	C	2.61	±20%	12	2.12	17	12	4.98			

